

# HC-49US/SMD (4.0mm)

# HC-49US/SMD (3.0mm)

## 产品特性 Feature

- "AT"Strip Blank Technology
- Cost Effective
- High Stability With Temperature
- Space Saving Design
- Wide Frequency Range
- Excellent Reliability
- Low Profile
- Excellent Aging Characteristics

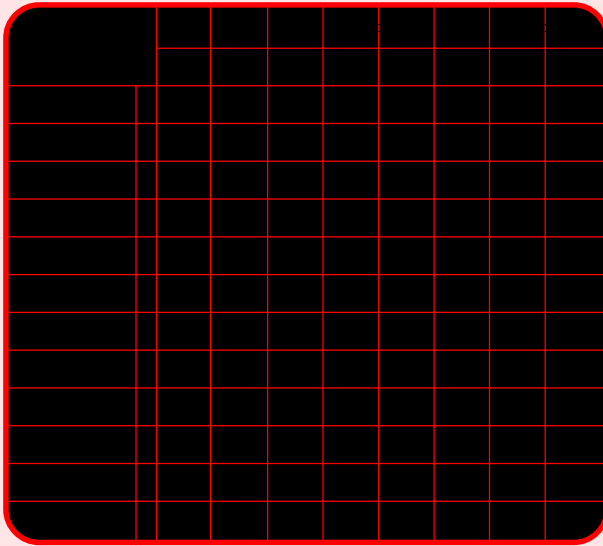


## 部品编码指南 Part Number Guide

<u>SZJF</u>	<u>4.000M</u>	<u>9S</u>	<u>18</u>	<u>1</u>	<u>10</u>	<u>L</u>	<u>T&amp;R</u>
Frequency	Package Type	Load Capacitance	Mode of Oscillation	Frequency Tolerance(25°C)	Available Option	Package Option	
	9U:HC-49/U 9T:HC-49/T 9S:HC-49/S OU:HC-50/U	SR: Series 18:18pF	1:Fundamental 3:3 <sup>rd</sup> Overtone 5:5 <sup>th</sup> Overtone	10:± 10ppm 30:± 30ppm	L:Cut Lead I: Insulator Tab G:Gull Wing J:Jacket X:Others,Pls Specify	B:Bulk T&R:Tape & Reel	

## 技术 Specifications

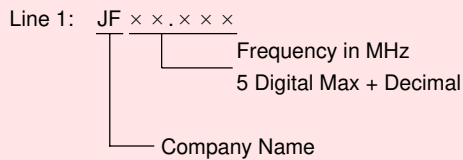

■ 温度频差 Frequency Stability Over Temperature Range (AT cut) (Table 1)



■ 等效电阻 Equivalent Series Resistance (ESR) (Table 2)

Freq. Range (MHz)	Mode of Oscillation	ESR(Ω Max)
3.570 - 3.999	AT Fundamental	150
4.000 - 4.999	AT Fundamental	130
5.000 - 5.999	AT Fundamental	120
6.000 - 7.999	AT Fundamental	100
8.000 - 8.999	AT Fundamental	80
10.000 - 14.999	AT Fundamental	60
15.000 - 35.000	AT Fundamental	40
20.000 - 40.000	BT Fundamental	40
25.000 - 90.000	3rd Overtone	70

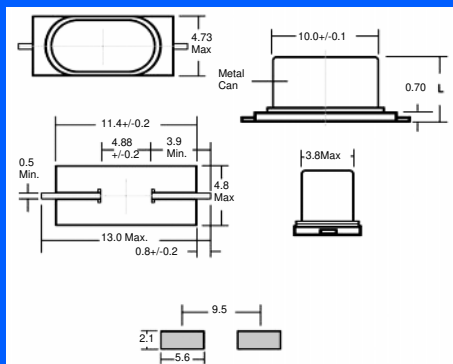
■ 产品标识 Marking specifications



■ 其它选项 Options Available

Options Available	Item
V	Tape & Reel Packing
V	Centre Third Lead on Top
V	Laser Marking
V	HC-49US SMD with Jacket (Metal Jacket Package)
V	Special Height for HC49US
V	Special C <sub>1</sub> or C <sub>0</sub> Requirement
V	Special ESR

■ 外形尺寸 Dimension(Unit: mm)



Holder	L
HC-49/US(3.0)	3.2max
HC-49/US(4.0)	4.5max

