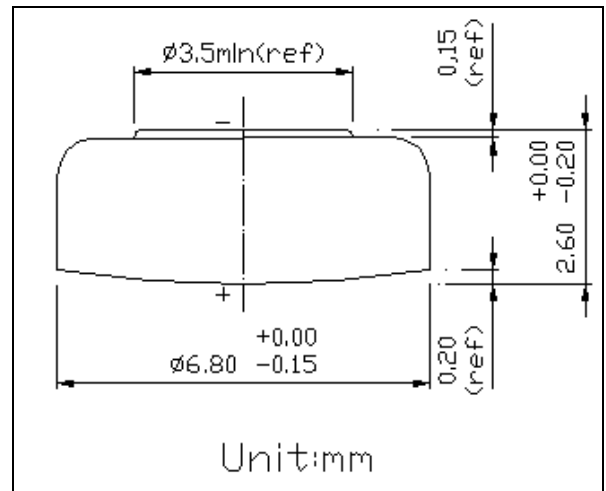
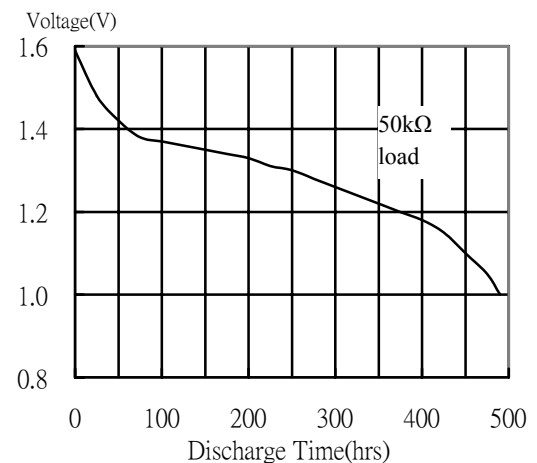


Model No.: GP177

Type	: Alkaline High Drain Button Cell
Chemical System	: Alkaline Manganese Dioxide
Nominal Voltage	: 1.5Volts
Nominal Dimensions	: Ø6.80mm×2.60mm
Application	: Analog Watch
Average Weight	: 0.4g
Date Code	: Unless otherwise specified, each cell Will carry a numeric year code and an alphabetical month code.
Shelf Life	: Not less than 90% of the service capacity within first year. , not less than 85% of the service capacity with third year storage at 20 ± 2 °C 45-75%RH
Close Circuit Voltage	: 1.40 Volts (min.)(load resistor 2kΩ at 20 ± 2 °C for 0.1 to 2 seconds)
Nominal Service Life(to 1.0V at 20 ±2 °C)	: 460 hrs (at 50 kΩ load) 110 days (at 300 kΩ load)
Average Service Capacity (to 1.0V at 20 ±2 °C)	: 12mAh(at 50 kΩ load)
Cross References:	
IEC	JIS Others
LR626SW	LR626 AG4



Typical Discharge characteristics at 20 ± 2 °C



The information (subject to change without prior notice) contained in this document is for reference only and should not be used as a basis for product guarantee or warranty. For applications other than those described here, please consult your nearest GP Sales and Marketing Office or Distributors.