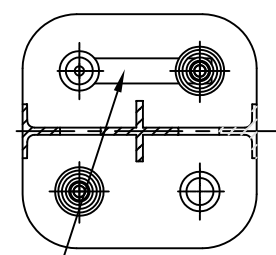
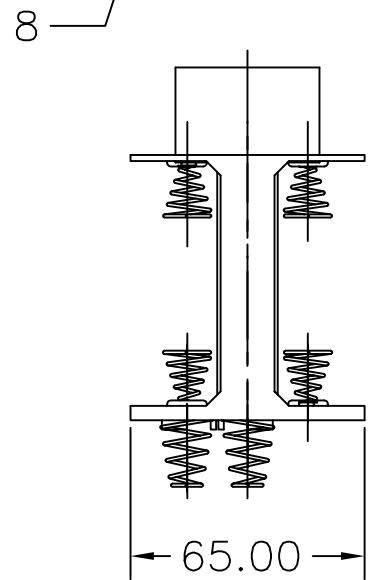
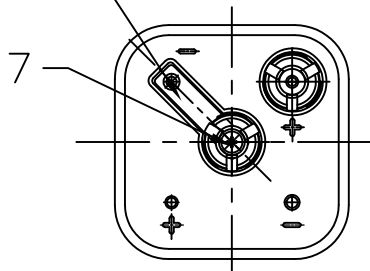
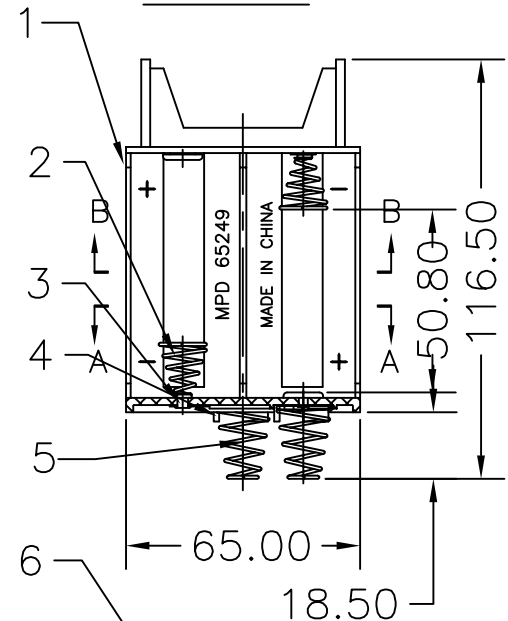


SECTION B-B




SECTION A-A



REVISIONS					
FER.FILE	ZNOE	QTY.	DESCRIPTION	REV.	CHANGED BY / DATE
			ADD CORRODE WORD	B	LJW DEC.13.00
			ADDED "ROHS COMPLIANT"	C	BS JAN.12.08

ROHS COMPLIANT

ITEM	PART NAME	MATERIAL	QTY	P/N
8	JUMP PLATE LONG	STEEL NI-PLATED	3	47-274102
7	SCREW M3X6	45# ST. NI-PLATED	1	41-225052
6	JUMP PLATE	STEEL NI-PLATED	1	47-274101
5	OUT SPRING	SPR-STEEL NI-PLATED	2	49-274101
4	PEDESTAL	STEEL NI-PLATED	2	47-274103
3	EYELET	SPR-STEEL NI-PLATED	4	44-100001
2	SPRING "-'	SPR-STEEL NI-PLATED	4	49-274102
1	BATTERY HSG	PP	1	53-27401

Tolerance (Except as noted)		 Memory Protection Devices, Inc 200 Broad Hollow Road, Farmingdale, New York 11735		
decimal ± .5 (.020)		Scale 1=1	Drawn By	
Fractional ± .8 (.030)	Title LANTERN BATTERY REPLACEMENT USING FOUR UM-1 OR D CELLS			
Angular ± 3°	Date 1/12/08	Drawing Number BA4D-S		