

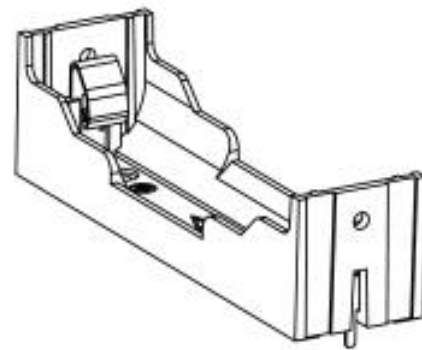
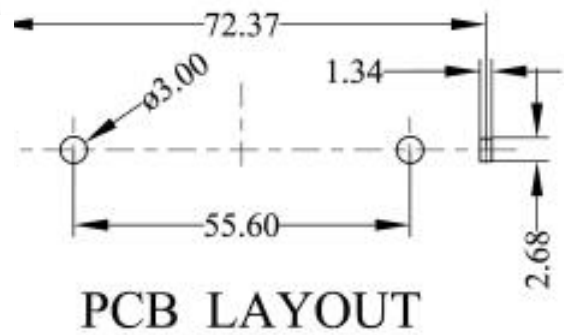
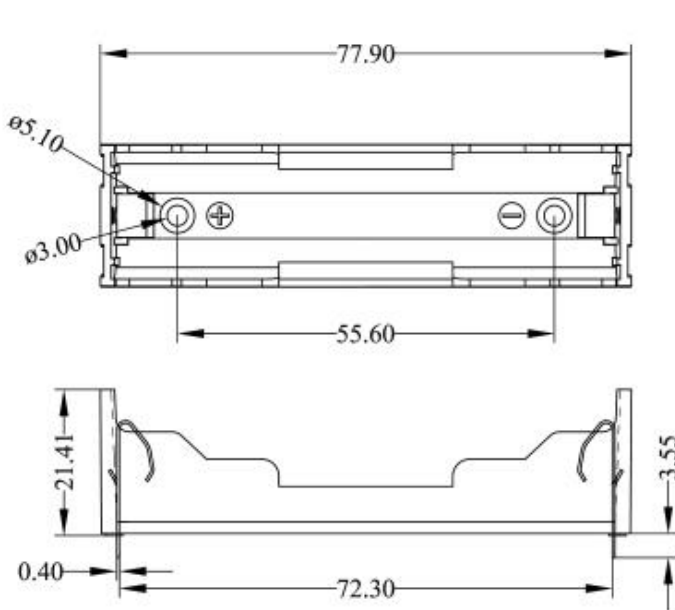


## Battery Holders

KLS5-18650-006

**NOTE:**

- 1.Type:PC Pins
- 2.Base Material:ABS Resin,Black Color
- 3.Flammability Rating:UL94HB or Custom Made
- 4.Contacts:304 Stainless Steel Spring Temper,Nickel Plated
- 5.Dielectric Strength:560 Volts/Mil.at 25°Cfor 5 Sec.
- 6.Weight:11.5g
- 7.RoHS COMPLIANT



## ORDER INFORMATION

Product NO.: KLS5- 18650 - 006- D

Pos. NO. \_\_\_\_\_  
18650 Battery Holder Case Box \_\_\_\_\_

TYPE:  
A:With Soldered Lug  
B:With wire L=15cm or other  
C:With 6 prong snap  
D: With PC Pins