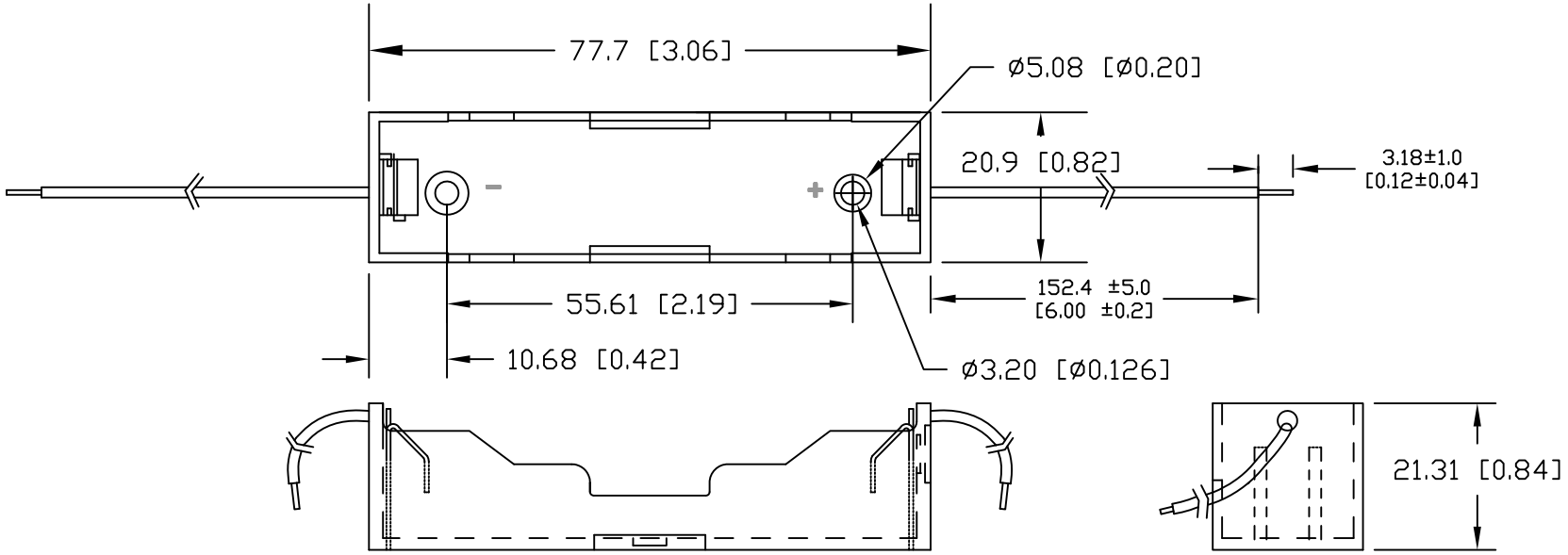



Date	SYM	REVISION RECORD	AUTH	DR.	CK.
09/16/11	A	UPDATED NOTES	T.B.	B.S.	



NOTES:

Material: Self-extinguishing Thermoplastic Polyester, color black
 Temperature Range: -40°C to +180°C
 Contacts: 302 Stainless Steel Spring Temper, Nickel Plated
 Flamability Rating: UL 94V-0
 Dielectric Strength: 560 Volts/Mil. at 25°C for 5 Sec.
 Resistance to Solvents: Xylene, ethyl, butyl, methyl & toluene
 Weight: 12.67g.
 ROHS COMPLIANT

Tolerance (Inches)	 Memory Protection Devices, Inc 200 Broad Hollow Road, Farmingdale, New York 11735	Scale	Drawn By B.S.
			Approved By T.B.
Decimal ±.5 (.020)	Title ONE 18650 LI-ION CELL HOLDER		
Fractional ±.8 (.030)	Date 09/16/11	Drawing Number BH-18650-W	