



# PRODUCT INFORMATION

<b>PART #</b>	<b>CH-26-2032LF</b>	<b>Revision: 0-2013</b>
	<b>'CR 2032' Coin Cell Holder</b>	
<b>ISO 9001</b>		

## SPECIFICATIONS

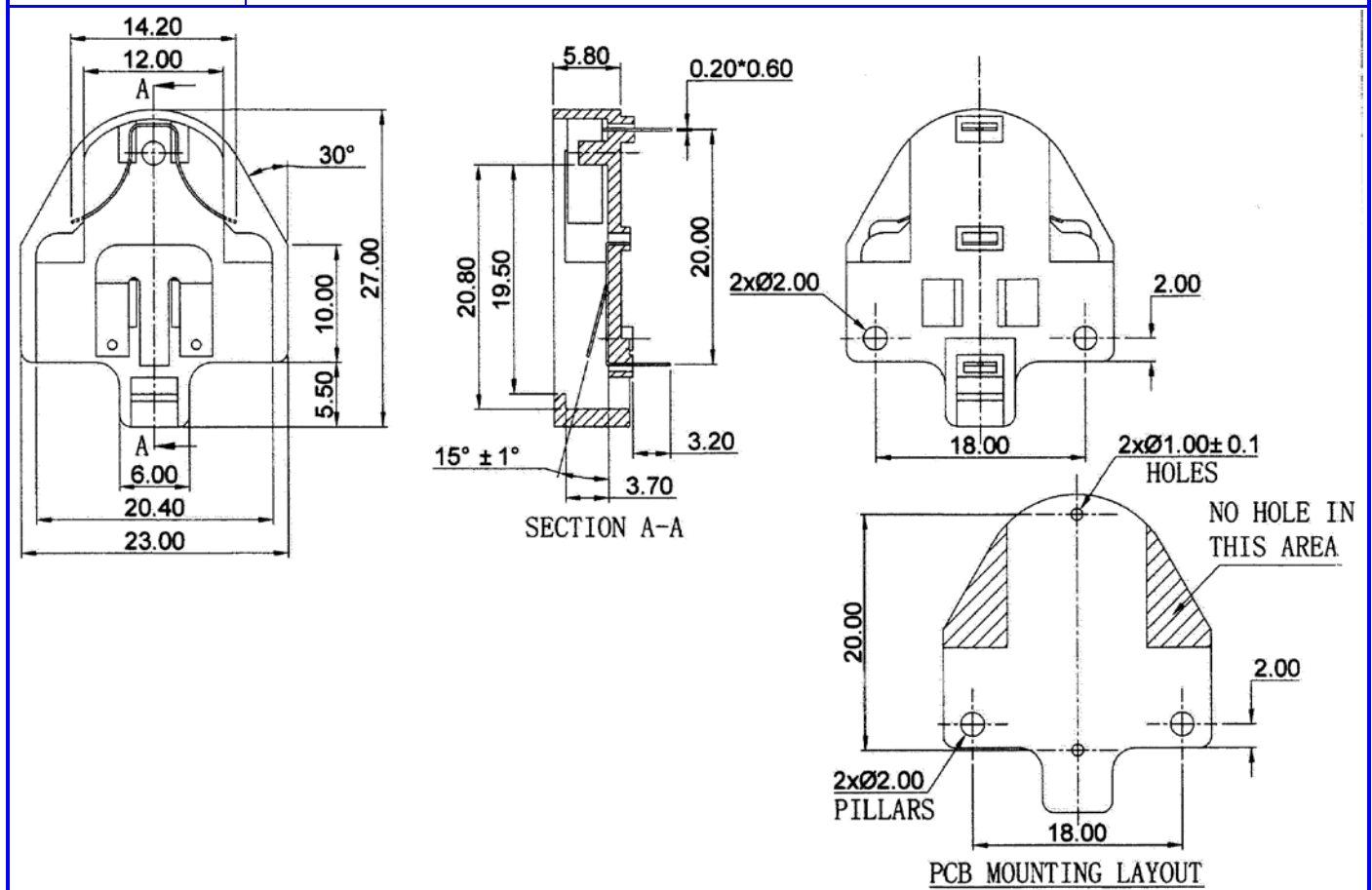
<b>Battery (Cell) Type</b>	<b>CR 2032</b>	<b>Number of Cells</b>	<b>1</b>
<b>Current Rating</b>	<b>2 A ac/dc</b>	<b>Voltage Rating</b>	<b>500 V ac/dc</b>
<b>Contact Resistance</b>	<b>Maximum 50 milliohms</b>	<b>Insulation Resistance</b>	<b>1000MΩ</b>
<b>Temperature</b>	<b>-40°C to + 105°C</b>	<b>Humidity</b>	<b>40°C, 90-95% RH for 96 hours</b>
<b>Material</b>	<b>Housing</b>	<b>Plastic, PBT UL94V0, Black</b>	
	<b>Contact</b>	<b>Phosphor Bronze, 0.2 mm Thick, Tin Plated over Nickel</b>	
<b>Approximate Weight</b>	<b>grams</b>	<b>Compliance</b>	<b>RoHS</b>
<b>Options</b>			

## RELIABILITY

<b>Vibration Test</b>	2 Hours of at 1.5 mm with 10 to 55 Hz. vibration frequency to each of 3 perpendicular directions
<b>Termination Strength</b>	Maximum of 9.8 N (1.0 Kg) load pull test, applied to each terminal in axial direction for 10 seconds
<b>Drop Test</b>	Dropped naturally from 750 mm height onto the surface of 40 mm wooden board, 3 axes (X,Y,Z) directions, 3 times (6 times total)
<b>Warranty</b>	For a period of one (1) year from date of shipping under normal operations conditions

## DIMENSIONS

23.0 x 27.00 x 5.80 Dimensions in mm; Tolerance ±0.5 mm



The information contained herein is believed to be correct, but no guarantee or warranty, express or implied, with respect to accuracy, completeness or results is extended and no liability is assumed. Challenge Electronics reserves the right to make changes in any specification, data or material contained herein.

Copyright © 2013 Challenge Electronics