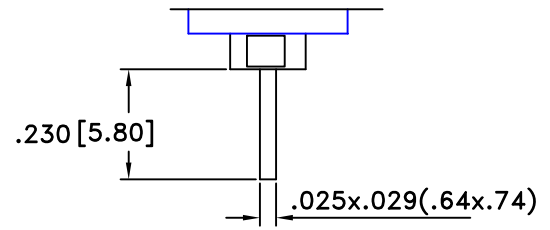
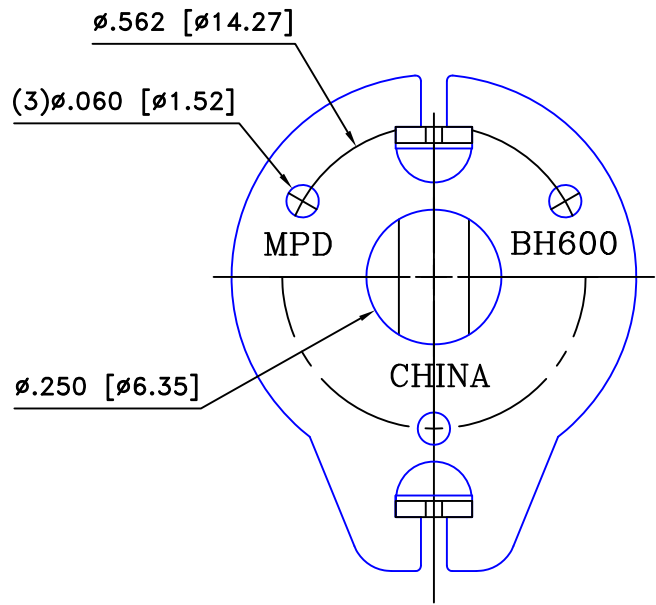
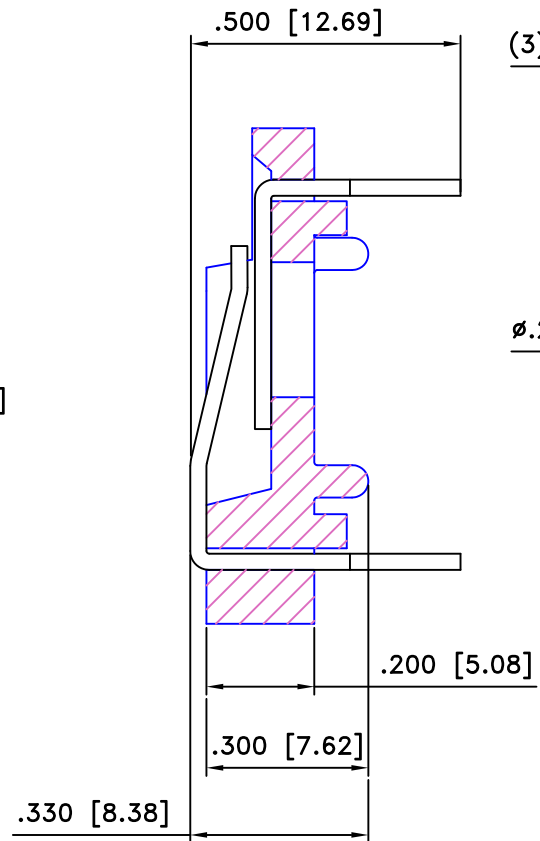
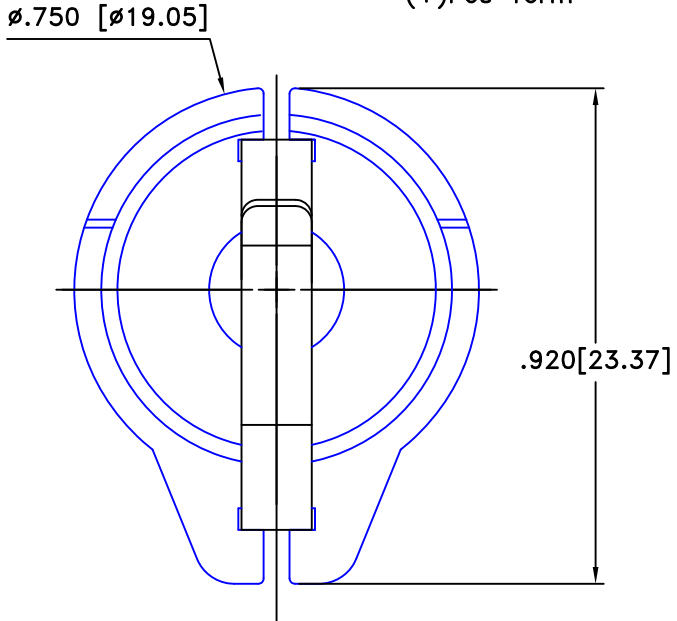
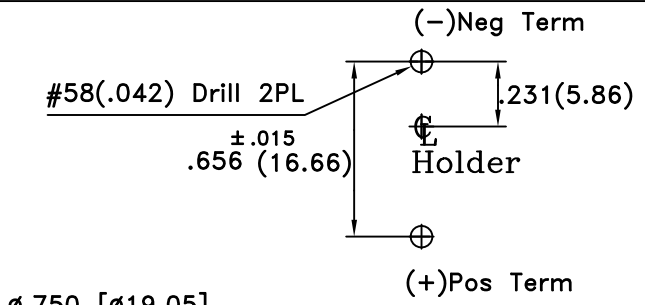



| Date | SYM | REVISION RECORD | AUTH | DR. | CK. |
|----------|-----|------------------------------|------|------|-----|
| 10/28/11 | B | REMOVED TOL. FROM DIM. 0.230 | T.B. | B.S. | |
| 02/03/12 | C | CHANGED TO CHINA FROM KOREA | T.B. | B.S. | |



Square Contact Detail

SPECIFICATIONS

- *Holder material—thermoplastic, black PBT
- *Flammability rating—UL94V-0, File No.88499(M)
- *Contacts—302 spring temper stainless steel nickel plated overall
- *Dielectric strength—560volts/mil at 25°C for 5seconds
- *Temperature range— -55° to +180°C
- *RESistance to solvents—Xylene,ethyl,butyl,methyl&proptl alcohol;ethyl acetate,heptane;toluene;refrigerant
- *ROHS COMPLIANT

| | | | |
|--------------------------------|---|--|--|
| Tolerance (Except as noted) |  | Memory protection Devices, Inc | |
| | | 200 Broad Hollow Road, Farmingdale, New York 11735 | |
| decimal ±.5 (.020) | Scale 4=1 | Drawn By B.S. | |
| | | Approved By T.B. | |
| Fractional ± .8 (.030) | Title BR/CR/DL 1620/1632 COIN BATTERY HOLDER | | |
| Angular ± 3° | Date 02/03/12 | Drawing Number BH600 | |