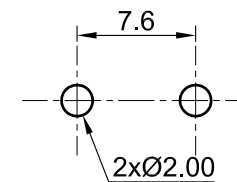
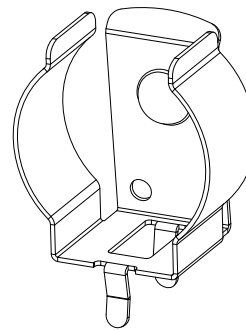
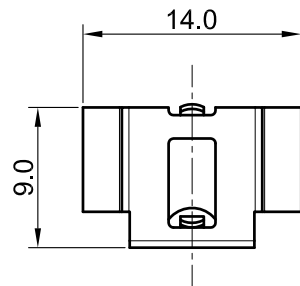
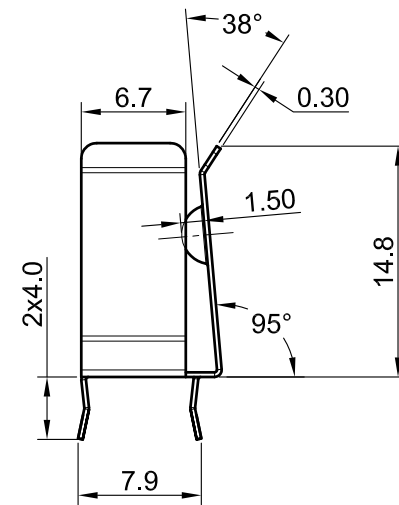
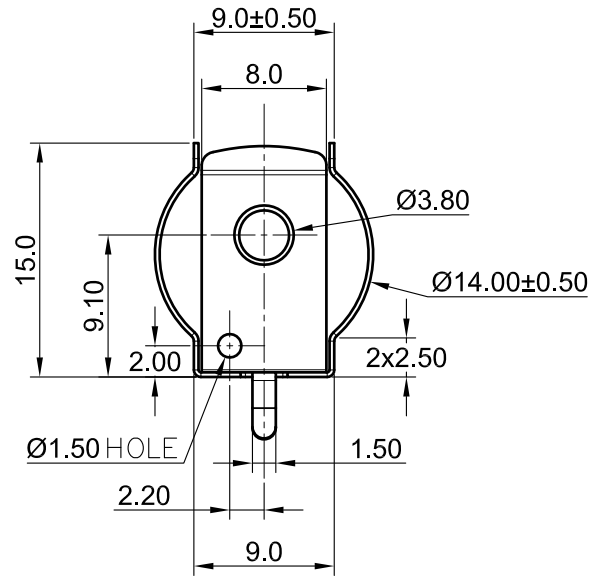


REV	DESCRIPTION	DATE
A0	INITIAL RELEASE	2014-12-06



PCB Mounting Layout

NOTES:

1. MATERIAL:
 - a. 0.30MM THICK SPRING STEEL NICKEL PLATED
2. ELECTRIC:
 - a. CURRENT RATING : 3A (AC/DC)
 - b. DIELECTRIC VOLTAGE: 500V AC ONE SEC LEVEL
 - c. CONTACT RESISTANCE: 30 MILLIOHMS MAX
 - d. INSULATION RESISTANCE: 100 MILLIOHMS MIN
 - e. OPERATING TEMPERATRUE: -40° ~ +105°
 - f. HUMIDITY: 40° C AND 90-95% RH FOR 48 HOURS
3. RoHS COMPLIANT

KLS ELECTRONIC CO., LTD.

UNLESS OTHERWISE SPECIFIED TOLERANCES		MATERIAL:	DESIGN BY	DATE	TITLE
SEE NOTES		SEE NOTES	Zhang jianbing	2014/12/04	BATTERY CLIP
DECIMALS		FINISH:	Wang quchun	2014/12/05	
X	: ±0.30	SEE NOTES	Zhu changyan	2014/12/06	DWG NO.
X.X	: ±0.25	these drawings and specifications are the property of MQC, are Issued In strict confidence and shall not be reproduced, or copied, or used as the basis for the manufacture, or sale of apparatus without prior written permission			REVISION
X.XX	: ±0.20				L-KLS5-55T
X.XXX	: ±0.10				A0
THIRD-ANGLE PROJECTION		UNIT	SCALE	SHEET	
		MM	2:1	1 OF 1	