



ENGLISH

Datasheet

RS Article:1854728

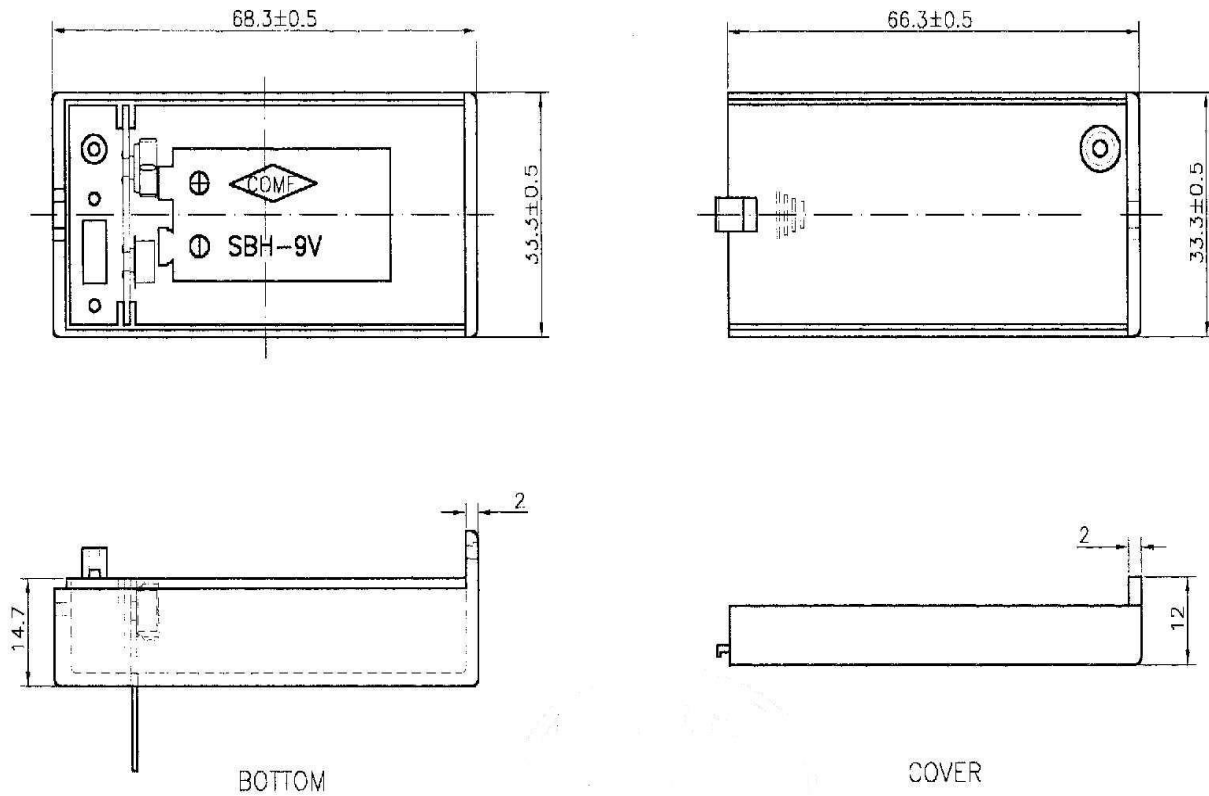
RS Pro Safety Battery Holder



1. Preface:

The purpose of this product specification is to Dimension and drawing

9V with PIN



SPECIFICATION

- (1) ITEM NO: 1854728
- (2) PIN: 0.8X24
- (3) WITH 6 PRONG SNAP TERMINAL.
- (4) MATERIAL: ABS RESIN, BLACK COLOR

Measure: mm