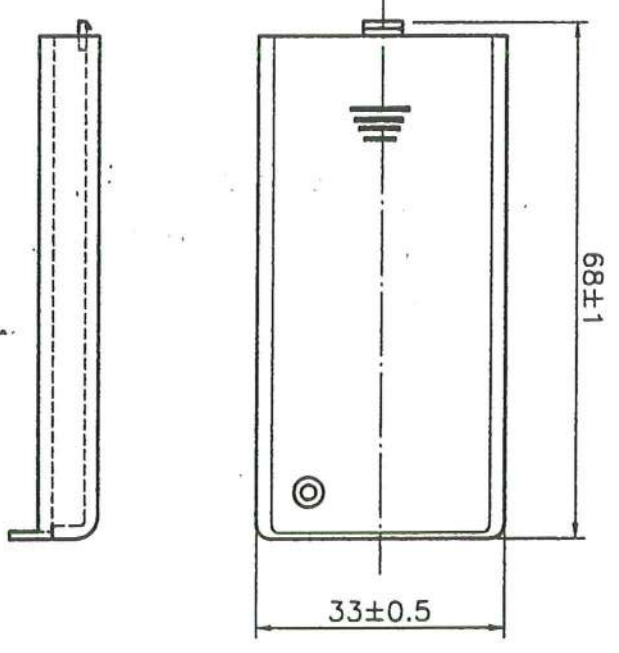


BOTTOM



COVER

SPECIFICATION

- (1) ITEM NO.: SBH-321-3AS
- (2) WIRE: UL1007 AWG#26
BLACK & RED 150MM±5MM
STRIP & TIN 5MM±1MM
- (3) MATERIAL: A.B.S. RESIN, BLACK COLOR
- (4) SPRING: 0.6MM 65C SPRING WIRE
- (5) ADD SWITCH

NAME	BATTERY HOLDER	SBH-321-3AS
SCALE	1:1	
UNIT	MM	
MAT'L	A.B.S.	
DATE	DEC.12.2000	
	DR. NO.	S3213AS-1200
	APPD.	<i>Wuhsin Lin</i>
	CHKD.	<i>Wang Yonglin</i>
	DWN.	LING

