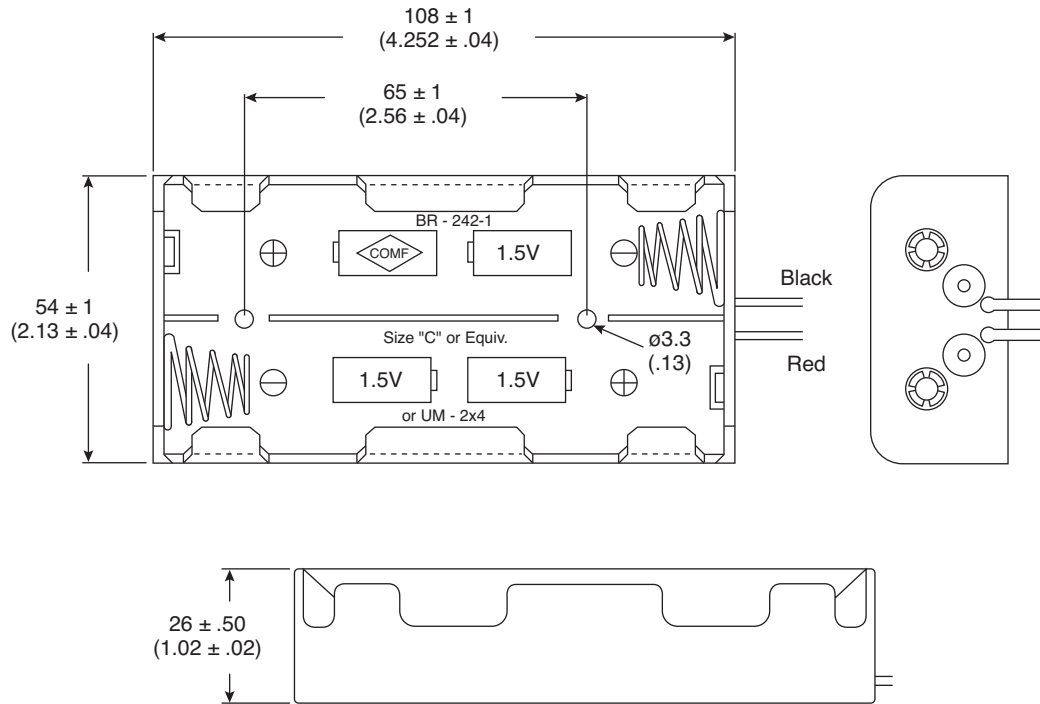


Date Last Revised: 11/7/08



Dimensions: mm (In.)

SPECIFICATIONS	
Wire:	AWG #22
	Black & Red 203mm $\pm$ 5mm
	Strip & Tin 4mm $\pm$ 1mm
Material:	PP Resin, Black Color
Spring:	0.8mm 65C Spring Wire
RoHS Compliant	

Available from Mouser Electronics  
1-800-346-6873 / [www.mouser.com](http://www.mouser.com)

EPD-200588

Specifications are subject to change without notice. No liability or warranty implied by this information. Environmental compliance based on producer documentation.