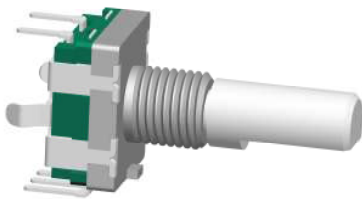




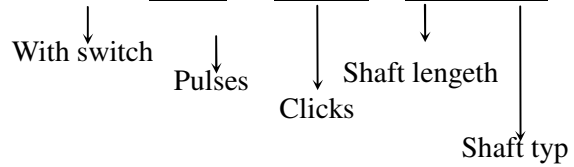
11mm Metal Shaft Rotary Encoder With Push-On Switch

ED112S

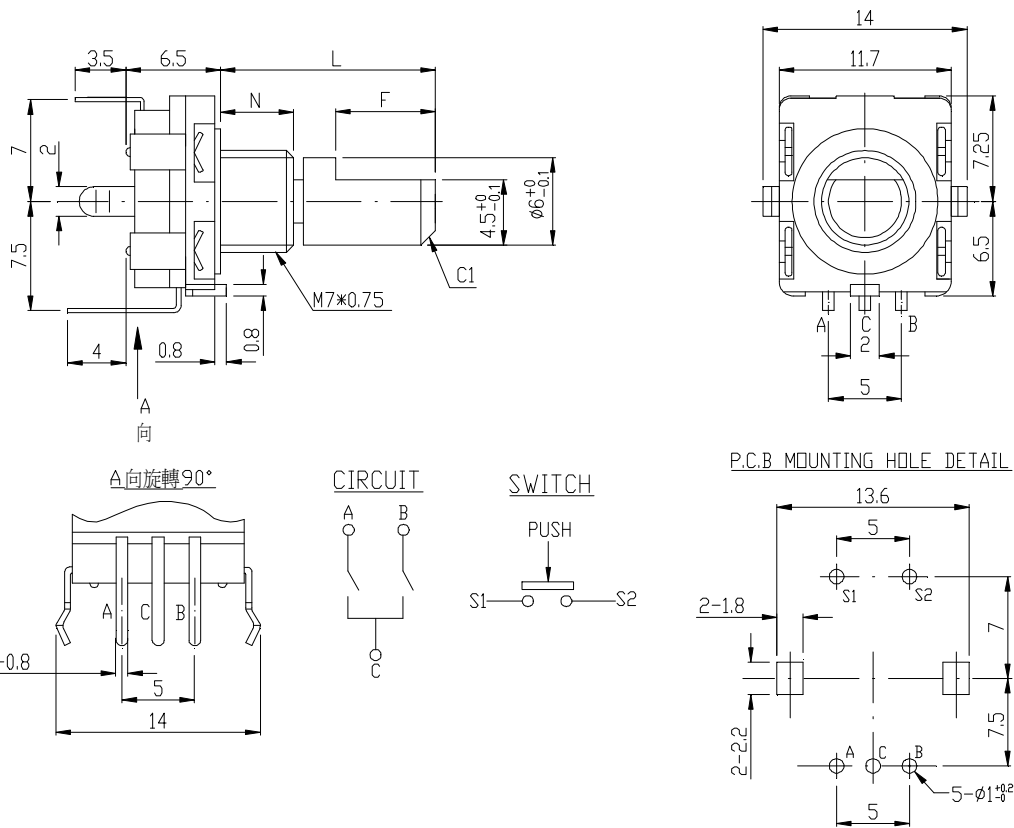


Part Number

ED112S - 20P - 20C - 25 F

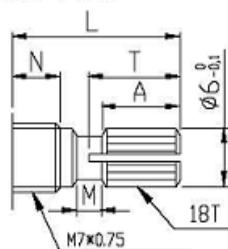


Dimensions



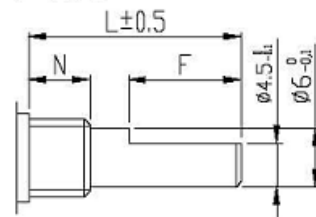
Shaft Type

KC-TYPE



N	5	7			
L	10	12	15	20	30
T	25	5	7	12	14
A	2	4	6	10	12
M	0.5	1	1	2	4

F-TYPE



N	5	7	
L	15	20	25
F	7	10	12



11mm Metal Shaft Rotary Encoder With Push-On Switch

1.Push-On Switch Specifications

Switch Circuit	Single Pole and Single Throw (push on)
Switch Travel(mm)	0.5 ^{+0.4} _{-0.3} mm
Switch Operating Force	500 ⁺³⁰⁰ ₋₃₀₀ gf.
Switch Rating Power	DC 5V 10mA (minimum ratings :DC 5V 1mA)
Switch Contact Resistance	First period : 100mΩ, 200mΩ after the end of useful life is reached
Switch Push Life	20,000 Cycles (500cycles/H, shaft push load 1kgf. Max.)

2.Electrical Characteristics

Power Rating	DC 5V 0.5mA
Insulation Resistance	≥100MΩ at 300V DC
Withstand Voltage	For 1 minute or more (at 300V AC)
Sliding Noise	t1,t3 ≤3mS(Test conditions:360°/S);t2≤2mS Using the C/R filter circuit is Recommended
Resolution	20 Pulses/360° for each phase .
Phase Difference	ΔT=0.25±0.17T
Output Signal And Rotational Direction	<p>C.C.W direction</p> <p>A Signal</p> <p>B Signal</p>
Working Temperature	-10°C ~ 70°C
Storage Temperature	-40°C ~ 85°C

3.Mechanical Characteristics

Total Rotational Angle	360 °
Rotational Torque	30~200 gf.cm ※(Shaft Rotatable at-10°C ~ +5°C)
Shaft Push-Pull Strength	8 Kgf.cm Max
Number and Position Detent	<ul style="list-style-type: none"> • 20 detents (Step angle: 18°±3°) ; • 30 detents (Step angle:360°) c • 0 detents (Step angle:360°)
Shaft Play in Axial Direction	0.4mm Max
Rotational Life	30,000 Cycles Min. at a speed of 600 cycles/H
Resistance To soldering Heat	<p>Manual Soldering: Less than 300°C and quicker than 3 seconds.</p> <p>For Automated or Semi-Automated Soldering Equipments:</p> <p>Preheating:Surface temperature of board: 100°C less . within 1 min .</p> <p>Auto soldering:260±5°C 3~5 seconds.</p>