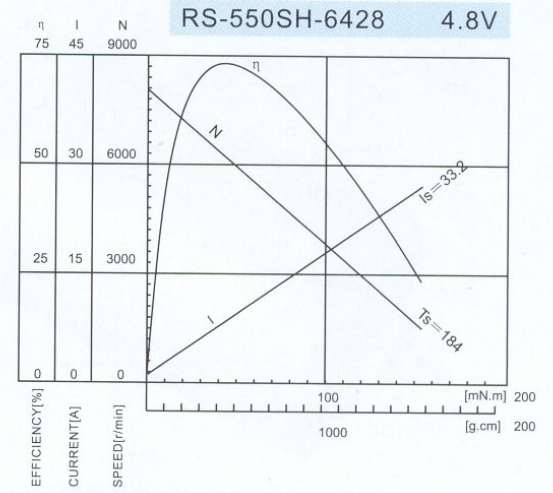


WEIGHT:190g(APPROX)



RS-550/555SH

OUTPUT: APPROX 3.0W-70W

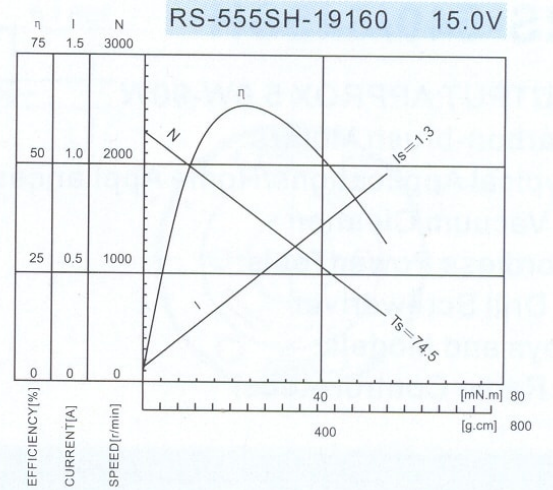
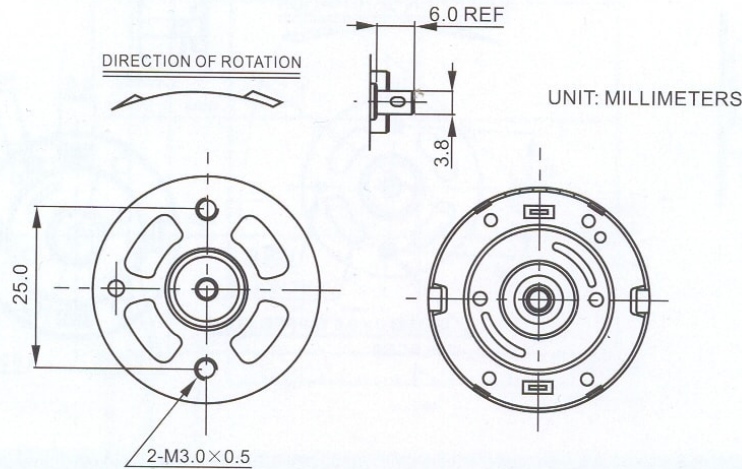
Carbon-brush Motors

Typical Applications/Cordless Power Tools:

- Drill • Screwdriver
- Air Compressor
- Cordless Garden Tool

Toys and Models:

- Ride-on Toy
- Radio Control Model



MODEL	VOLTAGE		NO LOAD		AT MAXIMUM EFFICIENCY				STARTING			
	OPERATING RANGE	NOMINAL	SPEED	CURRENT	SPEED	CURRENT	TORQUE		OUTPUT	TORQUE		CURRENT
			r/min	A	r/min	A	mN.m	g.cm	W	mN.m	g.cm	A
RS-550SH-6428	3.6~7.2	4.8V	8050	1.11	6800	6.08	28.5	291	21.2	184	1880	33.2
RS-555SH-19160	12~30	15.0V	2300	0.07	1800	0.30	14.0	143	2.64	74.5	760	1.3