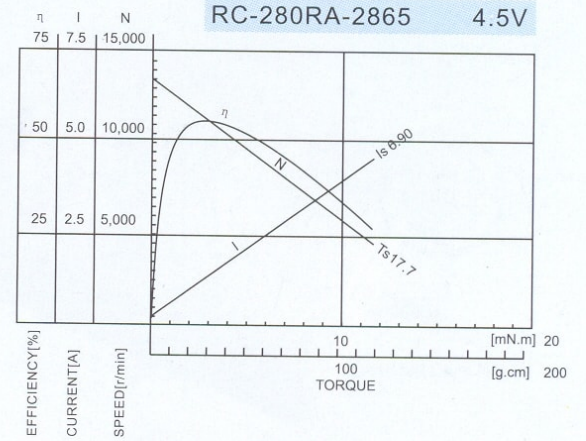


WEIGHT:42g(APPROX)



RC-280RA/SA

OUTPUT: APPROX 0.5W-24W

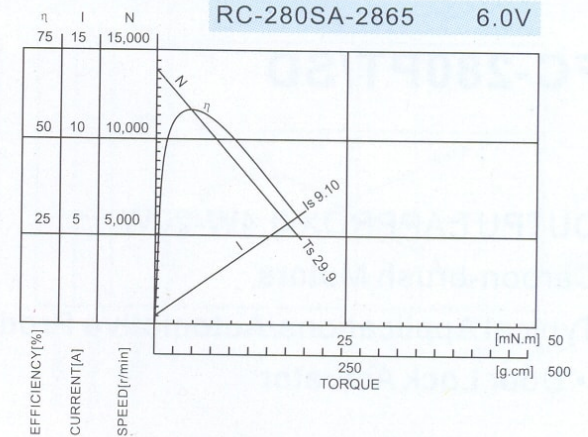
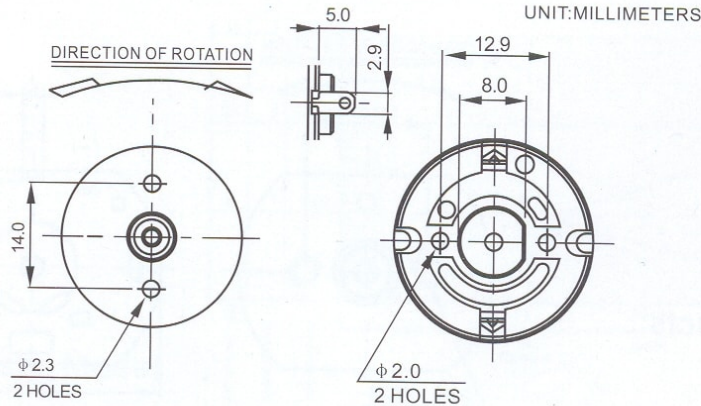
Carbon-brush Motors

Typical Applications/Toys and Models:

- Radio Control Model

Home Appliances:

- Hair Clipper
- Massager / Vibrator



MODEL	VOLTAGE		NO LOAD		AT MAXIMUM EFFICIENCY				STARTING			
	OPERATING RANGE	NOMINAL	SPEED	CURRENT	SPEED	CURRENT	TORQUE		OUTPUT	TORQUE		CURRENT
			r/min	A	r/min	A	mN.m	g.cm	W	mN.m	g.cm	A
RC-280RA-2865	4.5~6.0	4.5V	13600	0.27	11350	1.36	2.92	29.8	3.47	17.7	180	6.90
RC-280RA-2485	4.5~8.4	7.2V	16800	0.21	14260	1.18	3.27	33.3	4.87	21.6	220	6.60
RC-280SA-2865	4.5~9.0	6V	14000	0.28	11910	1.60	4.46	45.5	5.56	29.9	305	9.10
RC-280SA-2485	4.5~9.6	6V	10800	0.18	9130	0.99	3.71	37.8	3.54	24.0	245	5.40