

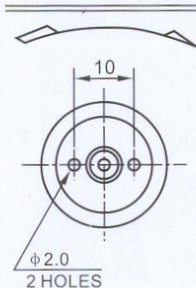
RE-140RA

OUTPUT: 0.2W-3.0W(APPROX)

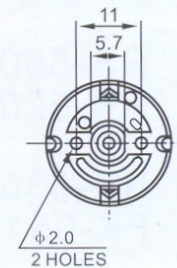
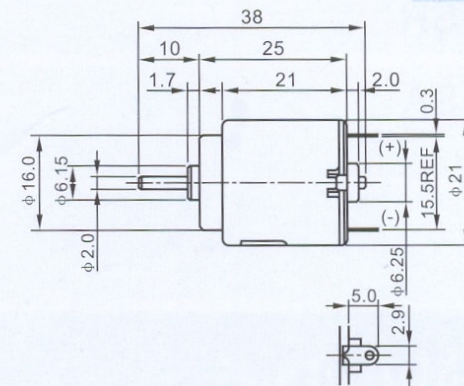
Typical Applications:

Toys and Models > Motorized Toy / Motorized Plastic Model

DIRECTION OF ROTATION

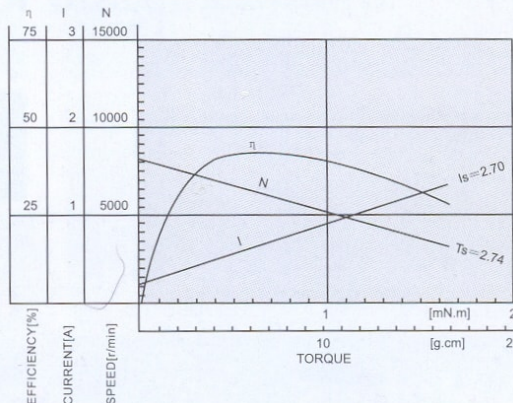


WEIGHT: 19g(APPROX)

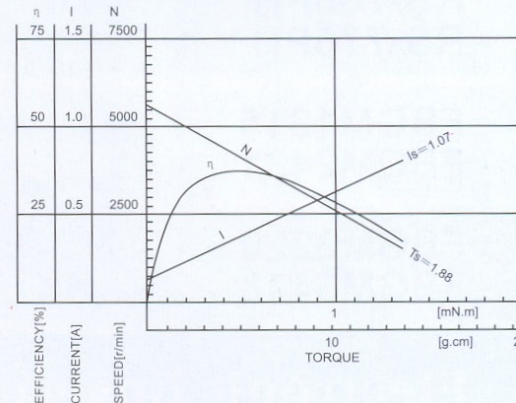


UNIT: MILLIMETERS

RE-140RA-2270 1.5V



RE-140RA-18100 1.5V



By clicking the "MODEL"/, You can display the Performance Chart Simulation

MODEL		VOLTAGE		NO LOAD		AT MAXIMUM EFFICIENCY				STALL			
		OPERATING RANGE	NOMINAL V	SPEED r/min	CURRENT A	SPEED r/min	CURRENT A	TORQUE mN.m	TORQUE g.cm	OUTPUT W	TORQUE mN.m	TORQUE g.cm	CURRENT A
RE-140RA	2270	1.5~3.0	1.5	8100	0.21	6150	0.66	0.66	6.7	0.42	2.74	28	2.1
	18100	1.5~3.0	1.5	5700	0.13	4230	0.37	0.48	4.9	0.21	1.86	19	1.07
	12240	3.0~6.0	3	4800	0.05	3530	0.14	0.44	4.5	0.16	1.67	17	0.39