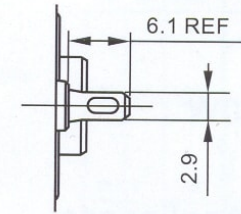
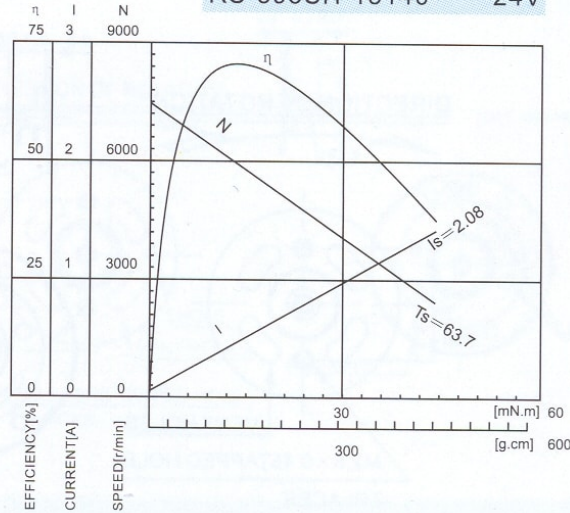
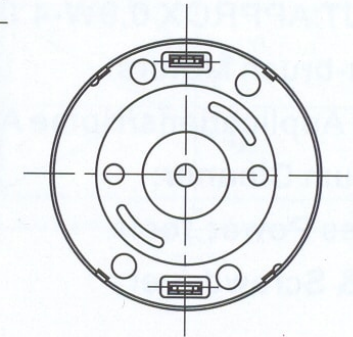


RS-395SH-15140 24V

WEIGHT:90g(APPROX)



UNIT: MILLIMETERS



## RS-395SH

OUTPUT: APPROX 1W-50W

Carbon-brush Motors

Typical Applications/Household Appliance:

- Massager
- Vibrator

MODEL	VOLTAGE		NO LOAD		AT MAXIMUM EFFICIENCY				STARTING			
	OPERATING RANGE	NOMINAL	SPEED	CURRENT	SPEED	CURRENT	TORQUE		OUTPUT	TORQUE		CURRENT
			r/min	A	r/min	A	mN.m	g.cm	W	mN.m	g.cm	A
RS-395SH-15140	15~30	24V	7450	0.055	6420	0.336	8.82	90	5.96	63.7	650	2.08