

RS-540/545SH

OUTPUT: APPROX 5.0W-90W

Carbon-brush Motors

Typical Applications/Home Appliances:

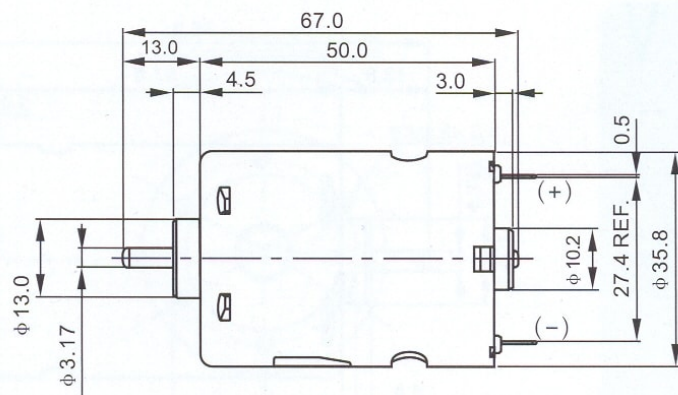
- Vacuum Cleaner

Cordless Power Tools:

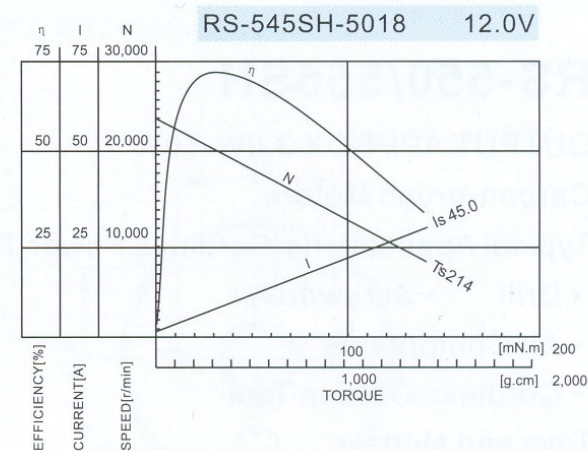
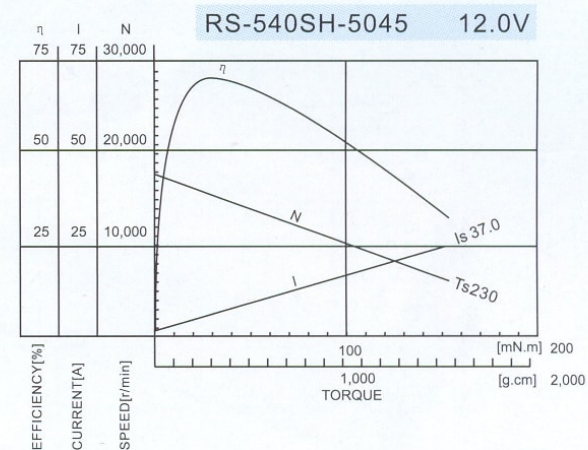
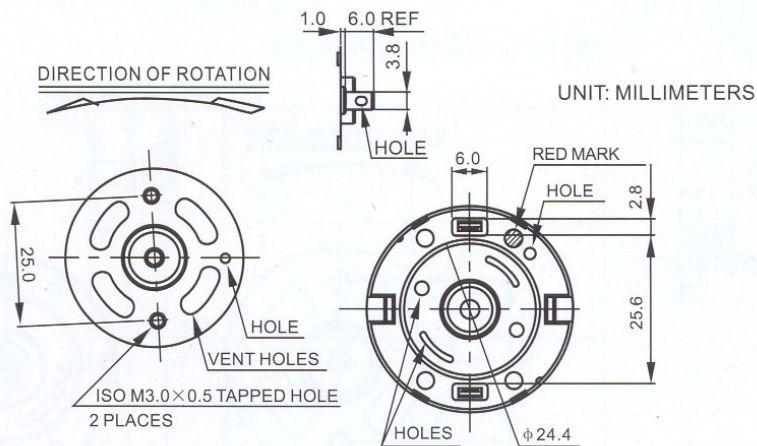
- Drill Screwdriver

Toys and Models:

- Radio Control Model



WEIGHT: 160g (APPROX)



MODEL	VOLTAGE		NO LOAD		AT MAXIMUM EFFICIENCY				STARTING			
	OPERATING RANGE	NOMINAL	SPEED	CURRENT	SPEED	CURRENT	TORQUE	OUTPUT	TORQUE		CURRENT	
			r/min	A	r/min	A	mN.m		g.cm	mN.m	g.cm	A
RS-540SH-5045	4.5~12.0	12V	17500	0.95	15080	5.93	31.8	324	50.1	230	2350	37.0
RS-540SH-5018	4.5~12.0	12V	24000	1.30	20510	7.65	31.1	317	66.7	214	2180	45.0
RS-540SH-18150	12~32	24V	5600	0.12	4560	0.53	16.4	167	7.82	88.2	900	2.30