



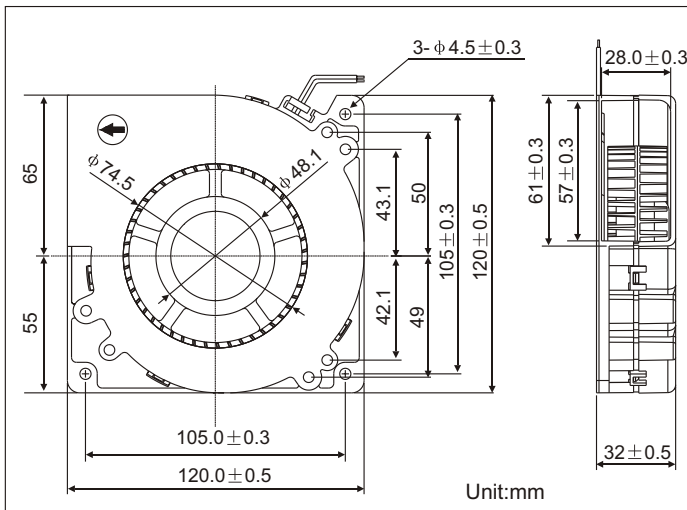


## FSY12032X12L(M)(H) FSY12032X24L(M)(H)

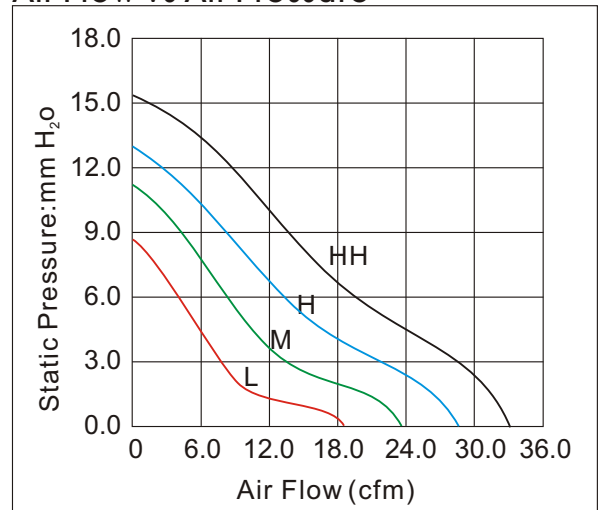
### Features

Size: 120×120×32mm(4.72×4.72×1.5in)  
 Frame/Impeller: Reinforced Plastic UL94V-0  
 Bearings: Ball Bearing&Sleeve Bearing  
 Life Expectancy:50,000 Hours at 20°C-Ball  
 30,000 Hours at 20°C-Sleeve  
 Approvals: UL CUL TUV CE RoHS  
 Weight: 210g



 E318377 CE TUV AE50078978  
 ▪ RoHS Compliant



### Air Flow vs Air Pressure



### Performance

Model	Bearing System X			Rated Voltage (V)	Current (A)	Input Power (W)	Nominal Speed (R.P.M)	Air Flow (CFM)	Air Pressure (mm-H <sub>2</sub> O)	Noise (dBA)
	S	B	D							
FSY12032X12L	✓	✓	✓	12	0.25	3.00	2000	18.88	8.82	45
FSY12032X12M	✓	✓	✓	12	0.35	4.20	2500	23.64	11.00	48
FSY12032X12H	✓	✓	✓	12	0.60	7.20	3000	28.30	13.23	52
FSY12032X12HH	✓	✓	✓	12	0.80	9.60	3500	33.01	15.41	55
FSY12032X24L	✓	✓	✓	24	0.15	3.60	2000	18.88	8.82	45
FSY12032X24M	✓	✓	✓	24	0.20	3.60	2500	23.64	11.00	48
FSY12032X24H	✓	✓	✓	24	0.25	6.00	3000	28.30	13.23	52
FSY12032X24HH	✓	✓	✓	24	0.45	10.80	3500	33.01	15.41	55

Product specification contained herein may be changed without prior notice.

It is therefore advisable to contact FONSONING ELECTRONICS before proceeding with the design of equipment incorporating this product.