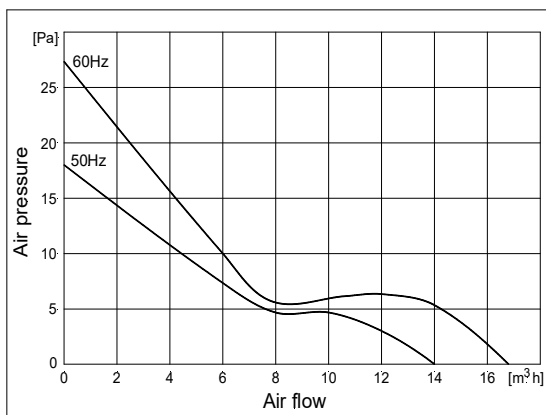
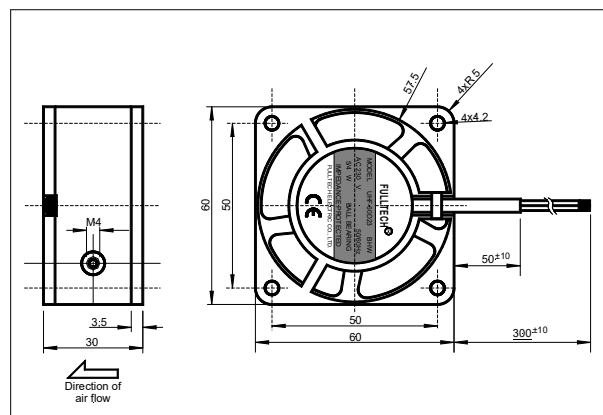




AIR PERFORMANCE



SHAPE AND DIMENSIONS



PERFORMANCE

CE		UF60D12BHW	UF60D23BHW
Operating voltage	[VAC]	103 ... 115 ... 127	207 ... 230 ... 253
Typ. power input	[W]	4.5	6.0
Max. air flow	[m ³ /h]	17.4	13.8
Max. air pressure	[Pa-mmH ₂ O]	27 - 2.8	18 - 1.8
Typ. noise (1m dist. from air intake side)	[dB(A)]	28	27
Typ. rotor speed	[RPM]	3000	2400
Direction of rotation		CW	
Direction of air flow		Over struts	
Operating temperature	[°C]	-40 ... +70	
Life expectancy L10/MTBF@ 40°C	[h]	50000/400000	
Bearing system		2 ball bearings ZZ	
Weight	[g]	100	
Connection		2 lead wires AWG22 UL1007	
Standard packing quantity	[Pcs.]	30-120-480	