

MODEL: CN2035-59HB P4



ELECTRICAL SPECIFICATION:

Item	Unit	Standard
Resonant Frequency	KHz	20 ± 0.5
Resonant Impedance	Ω	25 ↓
Capacitance	PF	3800 ± 10%
Diameter	MM	59
Total height	MM	97
Insulation Impedance	MΩ	10000 ↑
Rated Power	W	50

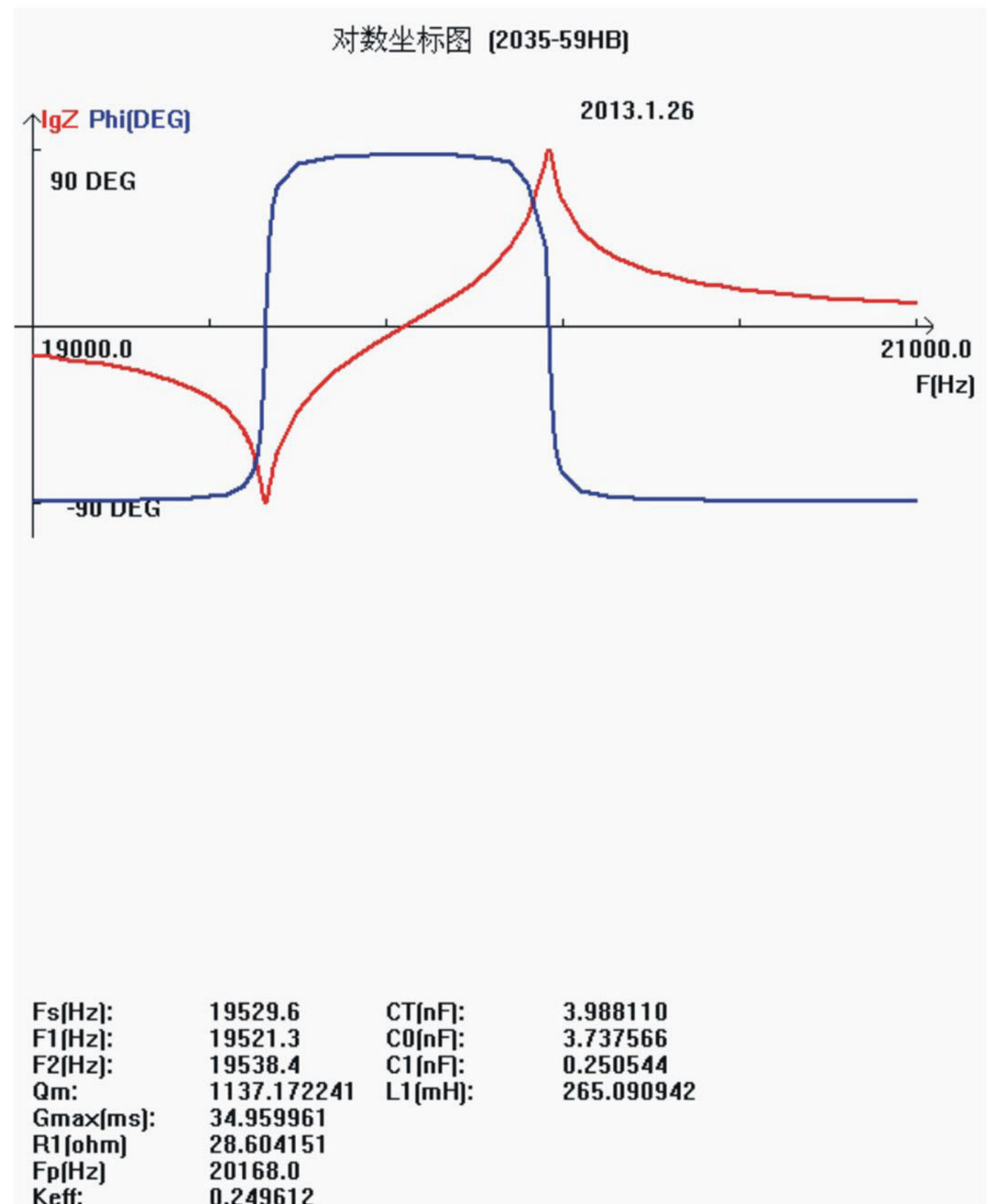
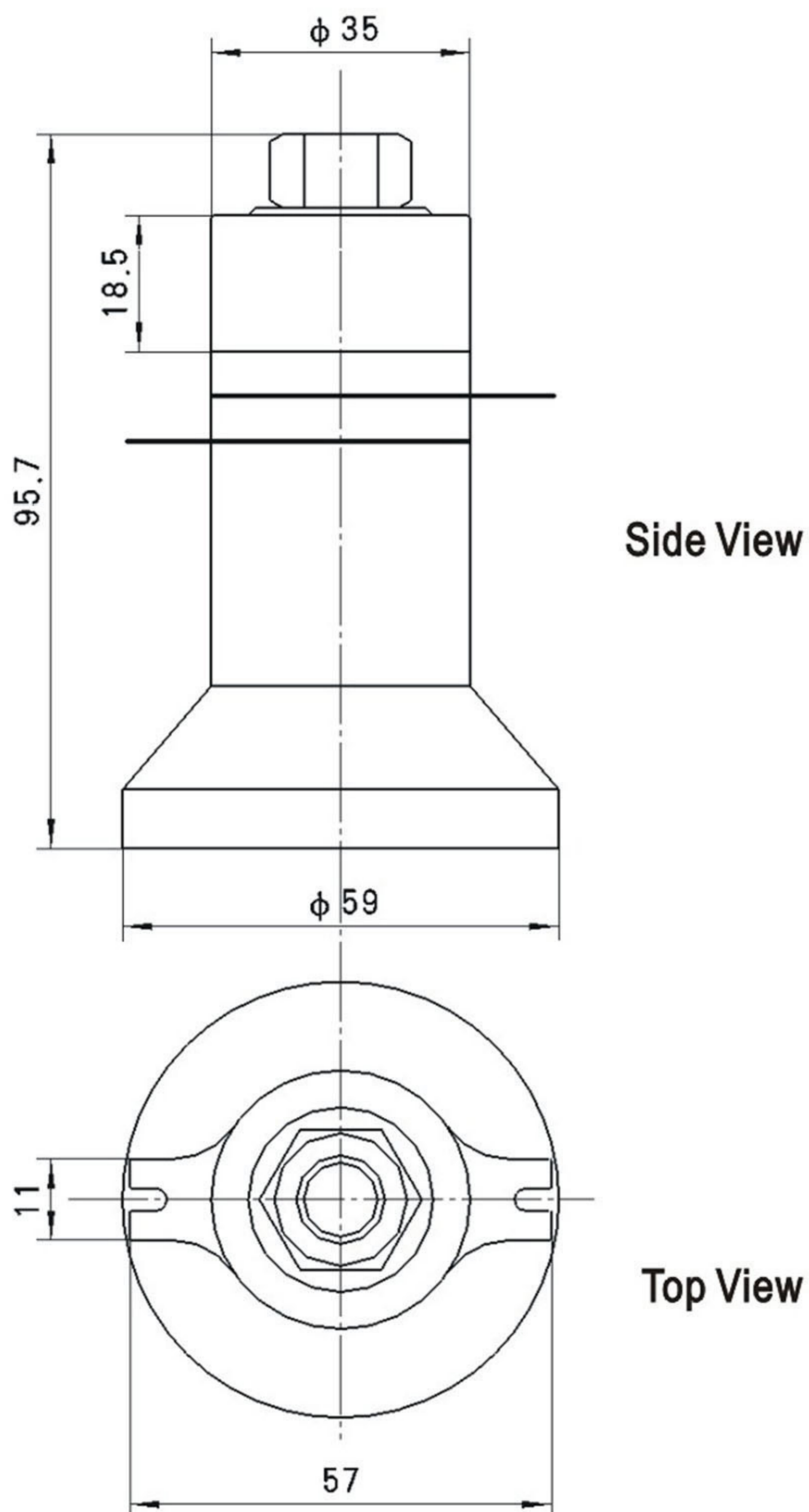
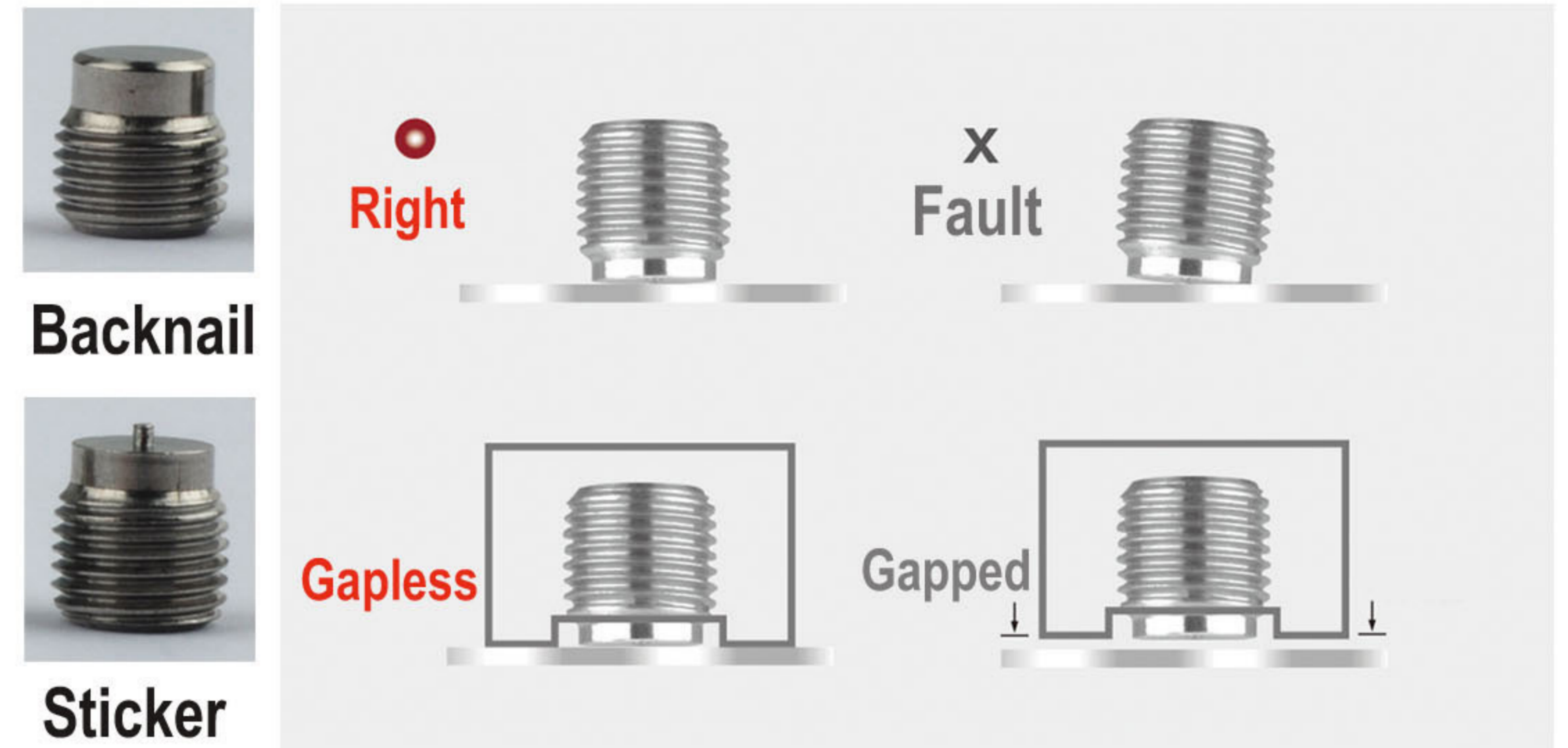
We provide two kinds of screws: backnail and sticker.

Backnail: welded to substrate by Argon Arc Welding Technology.

Sticker: welded to substrate by Energy Storage Type Studs Gun Welding Technology.

Backnail or Sticker is just for transducers which with threaded hole in radiating surface.

The correct method of installation as follows.



Tel:086-576-87276622 Email:info@clangsonic.com

Website:www.clangsonic.com

