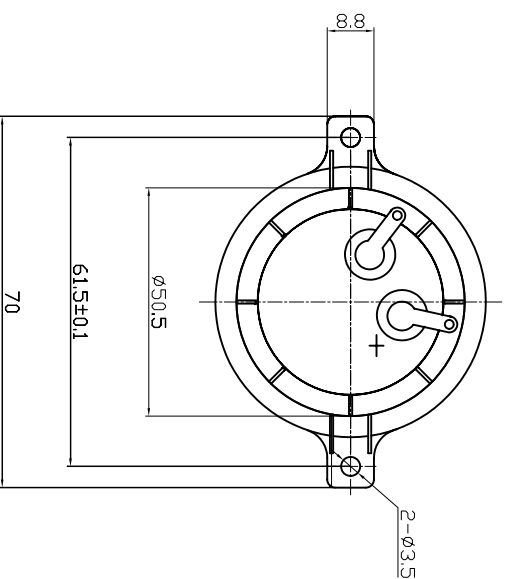
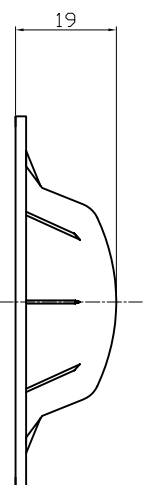


SPECIFICATION

- 1. Rated Voltage10Vp-p
- 2. Max. Rated Input Voltage30Vp-p
- 3. Rated Frequency Range2.5-60KHz
- 4. Rated Sensitivity92±3dB/w.10cm
- 5. Resonant Frequency22±3KHz
- 6. Case MaterialPBT
- 7. Operating Temperature-20~+70 °C
- 8. Store Temperature-30~+80 °C
- 9. Weight10g



No.	DESCRIPTION	APPROVED	DATE	KEPO NINGBO KEEP IMPROVING ELECTRONIC CO.,LTD http://www.chinaacoustic.com	
TOLERANCES: UNLESS NOTED OTHERWISE	APPROVALS	DATE			
XXX ±	DRAWN				
90° ANGLES ±1°	CHECKED			UNIT	DWG NO.
FIRST ANGLE PROJECTION	APPROVED			mm	KP3.840.510
			03.05.05	SCALE	SHEET
				NOT TO SCALE	VER 1.0