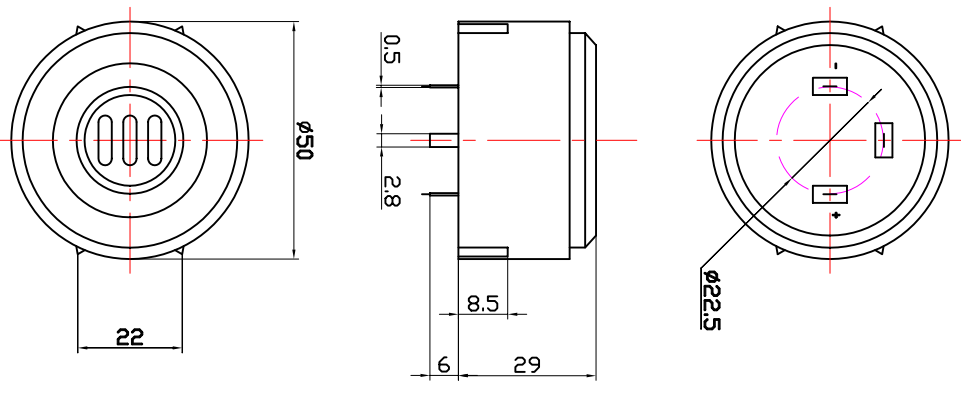


Specification

(Test Condition, 25°C)

- 1. Rated Voltage 12 VDC
- 2. Operating Voltage.....5~15 VDC
- 3. Max. Rated Current.....80mA
- 4. Min. Sound Pressure Level..... 108DB/30cm
- 5. Resonant Frepuency.....2.5±0.5KHZ
- 6. Tone Nature..... CONTINUOUS
- 7. Shell Material/Color..... ABS/Black
- 8. Operating Temperature..... -20~+60°C
- 9. Store Temperature.....-30~+70°C
- 10. Weight.....28g



No.		DESCRIPTION		APPROVED	DATE	KEPO NINGBO KEPI IMPROVING ELECTRONIC CO.,LTD http://www.chinaacoustic.com
NO. OVERSEAS		APPROVALS		DATE		
X	#	DRAWN	CHECKED	APPROVED	03.08.01	
FIRST ANGLE PROJECTION 						UNIT: mm SCALE: NOT TO SCALE DWG NO: KP3.840.408 SHEET: VER 1.0