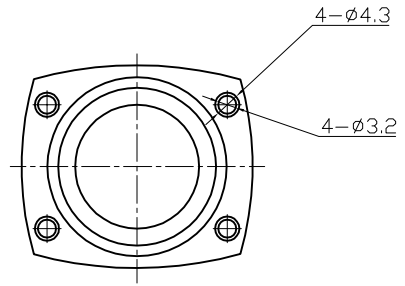
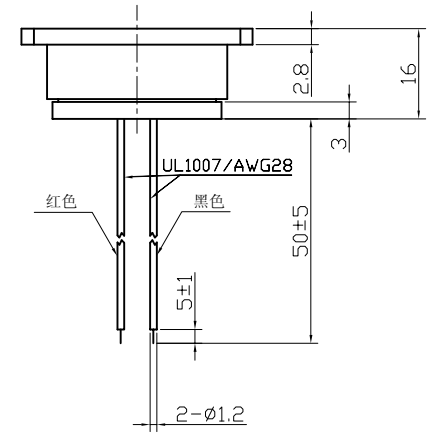
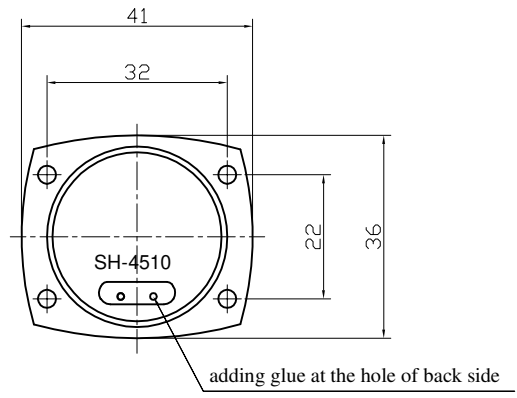


受 控

SPECIFICATION

1. Rated Voltage2.83Vrms Sine Wave
2. Max. Rated Input Voltage60Vrms Sine Wave
3. Rated Frequency Range.....2~5KHz
4. Min. Rated Sensitivity.....80±5dB at 2~5KHz/2.83Vrms Sine Wave/30cm
5. Capacitance At 100Hz25000pF±30%
6. Shell Material/ColorABS/Black
7. Operating Temperature-20~+60°C
8. Store Temperature-30~+70°C
9. Weight10g



				KEPO NINGBO KEPO ELECTRONIC CO.,LTD http://www.chinaacoustic.com	
No.		DESCRIPTION		APPROVED	DATE
<small>TOLERANCES UNLESS NOTED OTHERWISE X = .XX = XXX = 90° FORMED +2° ANGLES -1°</small>		APPROVALS		DATE	
		DRAWN			
<small>FIRST ANGLE PROJECTION</small> 		CHECKED		DATE	
		APPROVED			
		水成锋			
		梁树棠		11.03.28	
		UNIT		DWG NO.	
		mm		OEM2233	
		SCALE		VER	
		NOT TO SCALE		1.0	