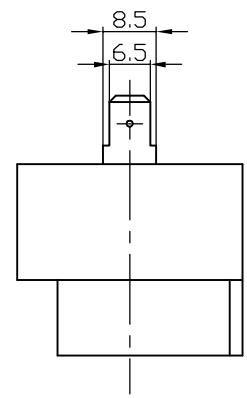
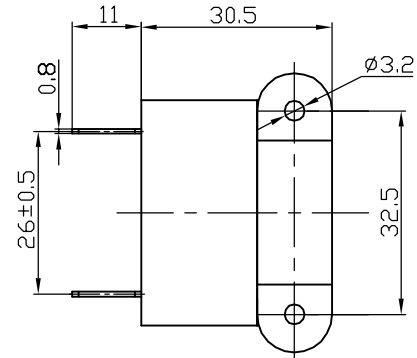
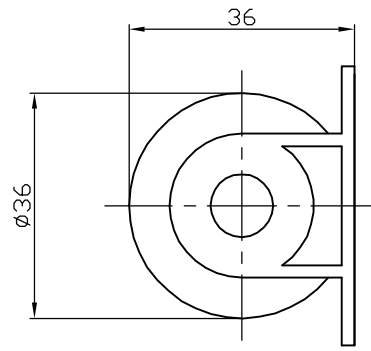


Specification (Test Condition, 25°C)



- 1. Rated Voltage.....9VDC
- 2. Operating Voltage.....8~48VDC
- 3. Max. Rated Current.....3mA at 9VDC
- 4. Min. Sound Pressure Level.....77dB at 9VDC/30cm
- 5. Resonant Frequency.....200±15Hz
- 6. Tone Nature.....Continuous
- 7. Case Material/Clour.....ABS/Black
- 8. Operating Temperature.....-20~+60°C
- 9. Store Temperature.....-30~+70°C
- 10. Weight.....28g

				KEPO NINGBO KEPO ELECTRONIC CO.,LTD http://www.chinaacoustic.com	
				Piezo Buzzer	
				KPS-3610	
No.	DESCRIPTION	APPROVED	DATE		
TOLERANCES UNLESS NOTED OTHERWISE: X * XX * XXX * 90° FORMED +2° ANGLES -1° FIRST ANGLE PROJECTION		APPROVALS	DATE	UNIT	DWG NO.
		DRAWN		mm	KP3.840.453
		CHECKED		SCALE	SHEET
		APPROVED	05.03.23	NOT TO SCALE	VER 1.1