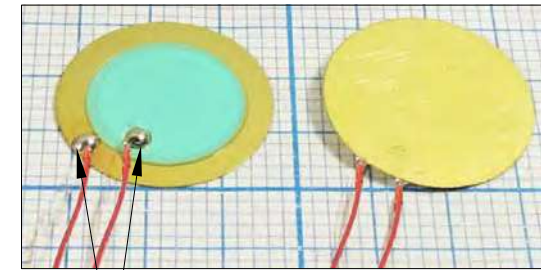
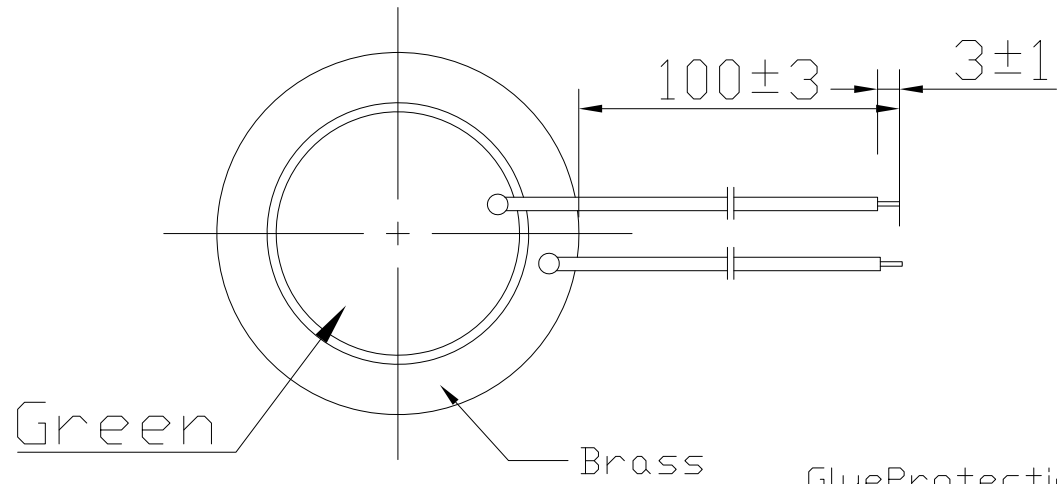


SPECIFICATION

- 1. Resonant Frequency 6.7 ± 0.5 kHz
- 2. Static Capacitance $14000 \pm 30\%$ (pF) at 100 Hz
- 3. Resonant Impedance 500Ω Max
- 4. Insulation Resistance 100Ω Min
- 5. Operating Voltage 30 Vp-p Max
- 6. Operating Temperature -20 to $+70$ (°C)
- 7. Storage Temperature -20 to $+80$ (°C)
- 8. Metal Material Brass



技术要求：
 1, 焊锡焊盘的尺寸中最大为2毫米。
 2, 焊点上必须涂保护胶；见图示。
 3, 产品符合欧盟环保要求。
 4, UL10064 AWG32#; 外露 100 ± 3 mm, 线外径 = 0.18 mm.

Glue Protection coating

| | | | | | |
|---|-------------|-----------|----------|---|---------------|
| | | | | NINGBO VOISE ELECTRONICS CO.,LTD http://www.nbvoise.com | |
| No. | DESCRIPTION | APPROVED | DATE | Piezoelectric Element VS15T67AL100G(G) | |
| TOLERANCES UNLESS NOTED OTHERWISE X ± XX ± XXX ± 90° FORMED +2° ANGLES -1° | | APPROVALS | DATE | | |
| FIRST ANGLE PROJECTION | | DRAWN | | UNIT | DWG NO. |
| | | CHECKED | | mm | VS20200709017 |
| | | APPROVED | 20.07.09 | SCALE | SHEET |
| | | | | | VER 1.0 |