

SPECIFICATION

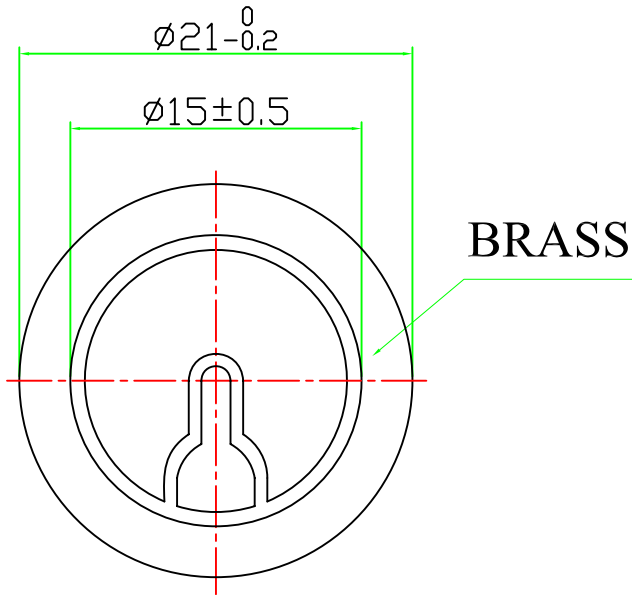
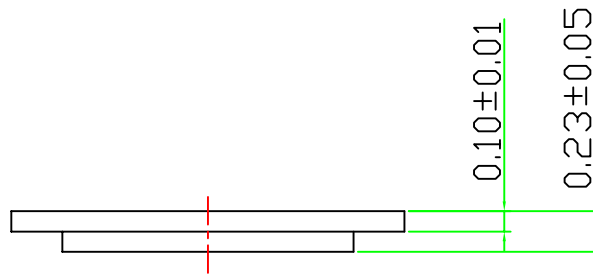
1. SCOPE

This specification is applied to the piezoelectric diaphragm.

2. SPECIFICATION

(at25°C)

- | | | |
|---------------------------|---|-----------------------|
| 2.1 Resonant Frequency | : | 3.3± 0.5KHz |
| 2.2 Resonant Resistance | : | 500 Ω max |
| 2.3 Capacitance | : | 24000pF± 30% at 100Hz |
| 2.4 Input Voltage | : | 30Vp-p max |
| 2.5 Operating Temperature | : | -20~+50°C |
| 2.6 Storage Temperature | : | -20~+60°C |
| 2.7 Dimension | : | as per figure |



TOLERANCES UNLESS NOTED OTHERWISE .X ± .XX ± .XXX ± 90° FORMED +2° ANGLES -1°	DRAWN		KEPO MODEL NO.	CUSTOMER 大洋				
	DESIGN		CBC2133BB	CUSTOMER NO.				
	CHECKED							
	APPROVED		DWG NO.	VER 1.0 SCALE UNIT mm SHEET				
	DATE	03.09.05	OEM673					
	CONTRACT NO.		KEPO CO.,LTD.		TEL: (+86)574-88370330 FAX: (+86)574-88370329			
	AGENCY APPROVAL							
FIRST ANGLE PROJECTION 								