

1

2

3

4

SPECIFICATION

受 控

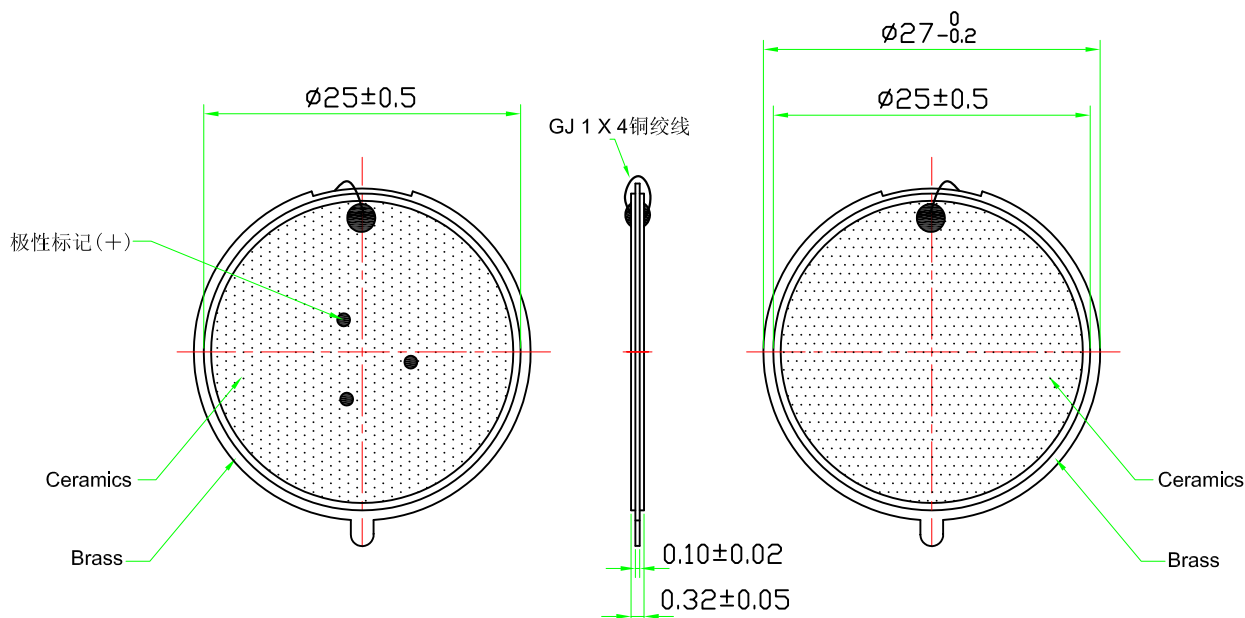
1. SCOPE

This specification is applied to the piezo-element.

2. SPECIFICATION

(at 25°C)

2.1 Resonant Frequency	:	2.4±0.5KHz
2.2 Resonant Resistace	:	150 Ω max
2.3 Capacitance	:	140000pF±30% at 100Hz
2.4 Input Voltage	:	30Vp-p max
2.5 Operating Temperature	:	-20~+60°C
2.6 Storage Temperature	:	-20~+70°C
3. DIMENSION	:	as per figure



备注:

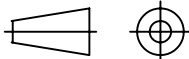
- 带标记点一面为正极面，标记点直径1.0mm；
- 焊点直径控制在 2.3 ± 0.5 mm；
- 内包装采用自封袋包装，自封袋尺寸 140×200 mm，每袋装100PCS

TOLERANCES UNLESS NOTED OTHERWISE

.X ±
.XX ±
.XXX ±

90° FORMED +2°
ANGLES -1°

FIRST ANGLE PROJECTION



DRAWN	汪逸	KEPO MODEL NO.	CUSTOMER		
DESIGN		HFT-27T-2.4ASL2	CUSTOMER NO.		
CHECKED		DWG NO.	VER	1.3	SCALE
APPROVED	徐锦生	KP3.844.812.02R	UNIT	mm	SHEET
DATE	10.06.01		Ningbo Kepo Electronics Co.,Ltd. TEL:(+86)574-88370330 FAX:(+86)574-88370329		
CONTRACT NO.					
AGENCY APPROVAL					

1

2

3

4