

1

2

3

4

SPECIFICATION

受 控

1. SCOPE

This specification is applied to the piezo-element.

2. SPECIFICATION

(at 25°C)

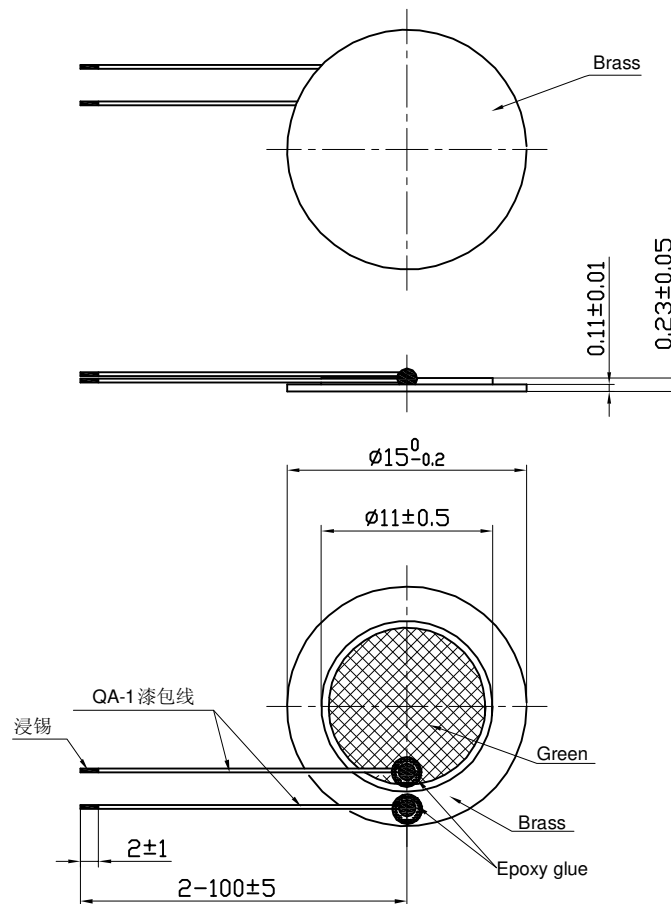
2.1 Resonant Frequency	:	6.0 ± 0.5 KHz
2.2 Resonant Resistace	:	500 Ω max
2.3 Capacitance	:	14000pF ± 30% at 100Hz
2.4 Input Voltage	:	30Vp-p max
2.5 Operating Temperature	:	-20~+50°C
2.6 Storage Temperature	:	-20~+60°C
3. DIMENSION	:	as per figure

A

A

B

B



C

C

D

D

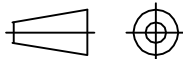
Note: Glue Protection of contacts (胶保护)

TOLERANCES UNLESS NOTED OTHERWISE

.X ±
.XX ±
.XXX ±

90° FORMED +2°
ANGLES -1°

FIRST ANGLE PROJECTION



DRAWN	汪逸
DESIGN	
CHECKED	
APPROVED	徐锦生
DATE	12.11.19
CONTRACT NO.	
AGENCY APPROVAL	

KEPO MODEL NO.

CBC1560BAL100-G(G)

DWG NO.

OEM1619

KEPO CO., LTD.

CUSTOMER

QUARTZ-1

CUSTOMER NO.

VER 1.4

UNIT mm

SCALE

SHEET

TEL: (+86) 574-88370330

FAX: (+86) 574-88370329

1

2

3

4