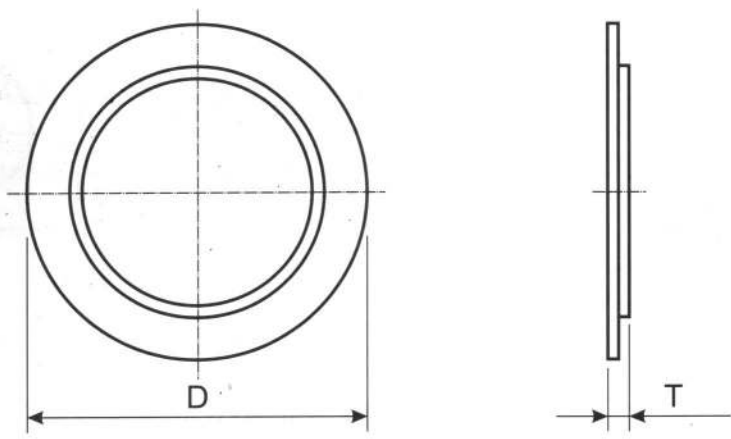


# PIEZO CERAMIC ELEMENT

Type	Resonant Frequency (KHz)	Resonant Impedance ( $\Omega$ max)	Capacitance (PF at 1KHz)	Input Voltage (Vp-p max)	D (mm)	T (mm)
MT-12T-12.5A1	11.2 12,5	800	5000	30	12	0.45
MT-15T-11.2A1	11.2	500	9000	30	15	0.45
MT-20G-6.5A1	6.5	250	15000	30	20	0.45
MT-20T-6.5A1	6.5	250	15000	30	20	0.45
MT-22G-6.5A1	6.5	250	15000	30	22	0.45
MT-22T-6.5A1	6.5	250	15000	30	22	0.45
MT-25T-4.5A1	4.5	250	25000	30	25	0.45
MT-25G-2.8A1	2.8	230	25000	30	25	0.45
MT-27T-4.0A1	4.0	300	25000	30	27	0.45
MT-27G-2.6A1	2.6	300	25000	30	27	0.45
MT-29T-4.0A1	4.0	300	25000	30	29	0.45
MT-29G-4.0A1	4.0	300	25000	30	29	0.45
MT-31T-3.2A1	3.2	150	45000	30	31	0.45
MT-31G-3.2A1	3.2	150	45000	30	31	0.45
MT-35T-2.8A1	2.8	150	45000	30	35	0.45
MT-35G-2.8A1	2.8	150	45000	30	35	0.45
MT-40T-2.8A1	2.8	150	45000	30	40	0.45
MT-40G-2.8A1	2.8	150	45000	30	40	0.45
MT-43G-2.8A1	2.8	150	45000	30	43	0.45
MT-43T-2.8A1	2.8	150	45000	30	43	0.45
MT-50T-2.8A1	2.8	150	45000	30	50	0.45
MT-50G-2.8A1	2.8	150	45000	30	50	0.45
MTB-12T-7.2A1	7.2	400	8000	30	12	0.25
MTB-15T-7.0A1	7.0	400	16000	30	15	0.25
MTB-22T-3.5A1	3.5	250	15000	30	22	0.25
MTB-20T-3.6A1	3.6	250	22000	30	20	0.25
MTB-25T-2.8A1	2.8	230	40000	30	25	0.25
MTB-27T-2.6A1	2.6	200	40000	30	27	0.25
MTB-29T-2.6A1	2.6	200	40000	30	29	0.25
MTB-31T-2.0A1	2.0	150	65000	30	31	0.25
MTB-35T-2.0A1	2.0	150	65000	30	35	0.25



**PART NUMBER:**

**MT B - 35 T - 2.6 A 1**

- (1) (2) (3) (4) (5) (6) (7)
- (1) MOBICON TWEETER
- (2) B: SINGLE SIDE TWEETER      SB: DOUBLE SIDE TWEETER
- (3) METAL PLATE DIAMETER
- (4) METALLIC MATERIAL      T: BRASS      G: STAINIESS STEEL      H: ALLOY
- (5) RESONANT FREQUENCY
- (6) ELECTRODE FORM      A: FULL ELECTRODE      B: FEEDBACK
- (7) PRODUCT CONSTRUCTION      1: PLANE      2: PLATE STRUCTURE