

SPECIFICATION

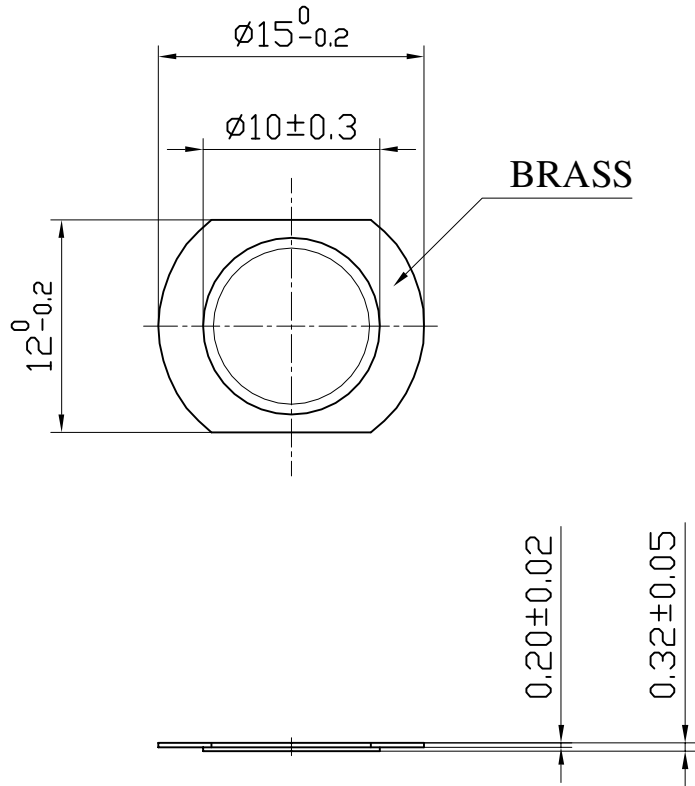
1. SCOPE

This specification is applied to the piezoelectric diaphragm.

2. SPECIFICATION

(at 25°C)

2.1 Resonant Frequency	:	6.5 ± 2.0 KHz
2.2 Resonant Resistance	:	1000 Ω max
2.3 Capacitance	:	10000 pF ± 30% at 100Hz
2.4 Input Voltage	:	30 Vp-p max
2.5 Operating Temperature	:	-20~+50°C
2.6 Storage Temperature	:	-20~+70°C
3. Dimension	:	as per figure

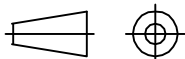


TOLERANCES UNLESS NOTED OTHERWISE

.X ±
.XX ±
.XXX ±

90° FORMED +2°
ANGLES -1°

FIRST ANGLE PROJECTION



DRAWN	
DESIGN	
CHECKED	
APPROVED	
DATE	06.04.01
CONTRACT NO.	

AGENCY APPROVAL

KEPO MODEL NO.

FT-15T-6.5A(切)

DWG NO.

KP3.845.829

KEPO CO., LTD.

CUSTOMER

CUSTOMER NO.

VER	1.0	SCALE	
UNIT	mm	SHEET	

TEL:(+86)574-88370330
FAX:(+86)574-88370329