

SPECIFICATION

Customer : QUARTZ

Applied To :

Product Name : MIC

Model Name : KPCM-60H13P-58dB

Drawing No. : KF3.002.289

Signature of Approval

--

Signature of KEPO

Approved by	Checked by	Issued by	Date



Ningbo Kepo Electronics Co.,Ltd.

*Address: No.25 Baoyuan Road Dongqian Lake Industrial Area
Dongqian Lake, Ningbo315121, China*

*Tel: +86(574)88371186, 88370330 Fax: +86(574)88370329
http://www.chinaacoustic.com E-mail: Sales@kepo.com.cn*

Specification	Page	2/6
Model No. : KPCM-60H13P-58dB	Revision No.	1.0
	Drawing No.	KF3.002.289

CONTENTS

1. Scope
2. General
3. Electrical and Acoustic Characteristics.
4. Reliability Test
5. Measurement Block Diagram & Response curve
6. Dimensions

Specification		Page	3/6
Model No. :	KPCM-60H13P-58dB	Revision No.	1.0
		Drawing No.	KF3.002.289

1. Scope

This specification is applied to the MIC which is used all of the electrical acoustic product.

-- applications: mobile phone, PDA, notebook computer, etc. ..

2. General

2.1 Out-Diameter : Ø60mm

2.2 Height : 1.5mm

2.3 Weight : ≦0.3gr.

2.4 Operating Temperature range:

20~+70 °C without loss of function

2.5 Store Temperature range:

-20~+70 °C without loss of function

3. Electrical Characteristics.

Test condition : 15 ~ 35 °C, 35% ~ 85% RH, 860~1060 mbar

NO.	Items	Specifications
1	Rated Voltage	2.0V
2	Operating Voltage	1~10VDC
3	Sensitivity	-58± 2dB at 1KHz(0dB=1V/u bar)
4	Current Consumption	0.5mA Max
5	Frequency	100~16,000Hz
6	S/N Ratio	≧40dB
7	Directivity	Omnidirectional
8	Testing Condition	1000Hz, Vs=2.0V, RL=2.2K Ω
9	Shell Material/Color	AL/Silver
Note:		

Specification		Page	4/6
		Revision No.	1.0
Model No. :	KPCM-60H13P-58dB	Drawing No.	KF3.002.289

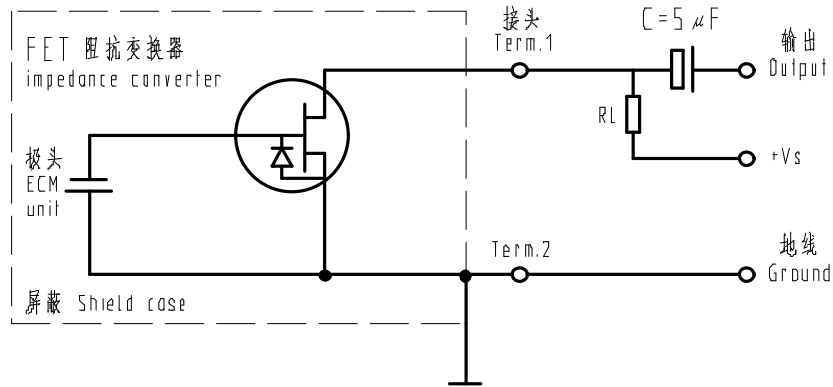
4. Reliability Test

After test(1~7item), the MIC sensitivity to be within +/-3dB from initial sensitivity.

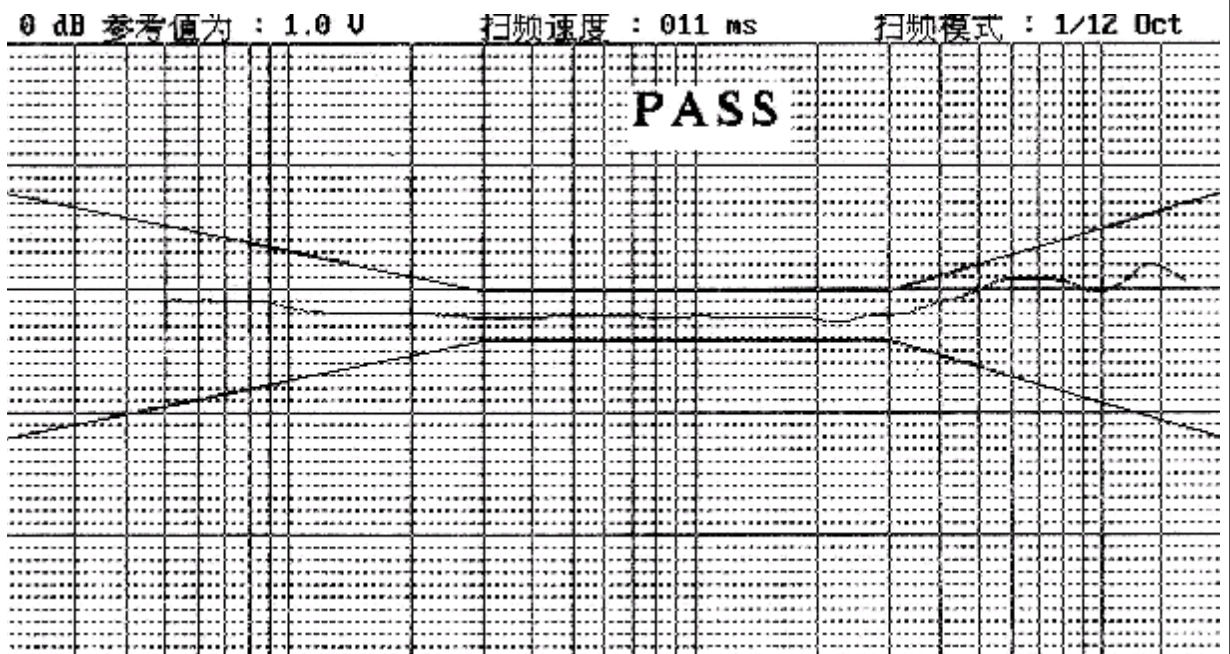
	Item	Specification
1	High Temperature Test	After being placed in a chamber with $+70\pm 3\text{ }^{\circ}\text{C}$ for 72hours and then being placed in natural condition for 1 hour
2	Low Temperature Test	After being placed in a chamber with $-20\pm 3\text{ }^{\circ}\text{C}$ for 72 hours and then being placed in natural condition for 1 hour
3	Damp Heat	After being placed in a chamber with 90%R.H. at $+40\pm 2\text{ }^{\circ}\text{C}$ for 96 hours and then being placed in natural condition for 120 hour, receiver shall be measured.
4	Temperature Cycles	$-20^{\circ}\text{C} \leftrightarrow 25^{\circ}\text{C} \leftrightarrow 70^{\circ}\text{C}$ 10次 (2h)(1h)(2h)(1h)(2h) 10cycles
5	Shocks	Pulse Shape Half Sinusoidal Pulse Duration 11ms Acceleration 150m/s^2 Number of Jolts 10 in each of 3 axes
6	Vibration	Frequency1 10Hz~55Hz Amplitude $\pm 0.15\text{mm}$ Frequency2 55Hz~150Hz Acceleration 20m/s^2 Change of Frequency 1octave/min 2 hrs in each of 3 axes
7		
8		

Specification	Page	5/6
	Revision No.	1.0
Model No. : KPCM-60H13P-58dB	Drawing No.	KF3.002.289

5. Measurement Circuit (Test Condition $V_S=2.0V$ $R_I=2.2K \Omega$
 $T_a=20^\circ C$ $R.H=65\%$)

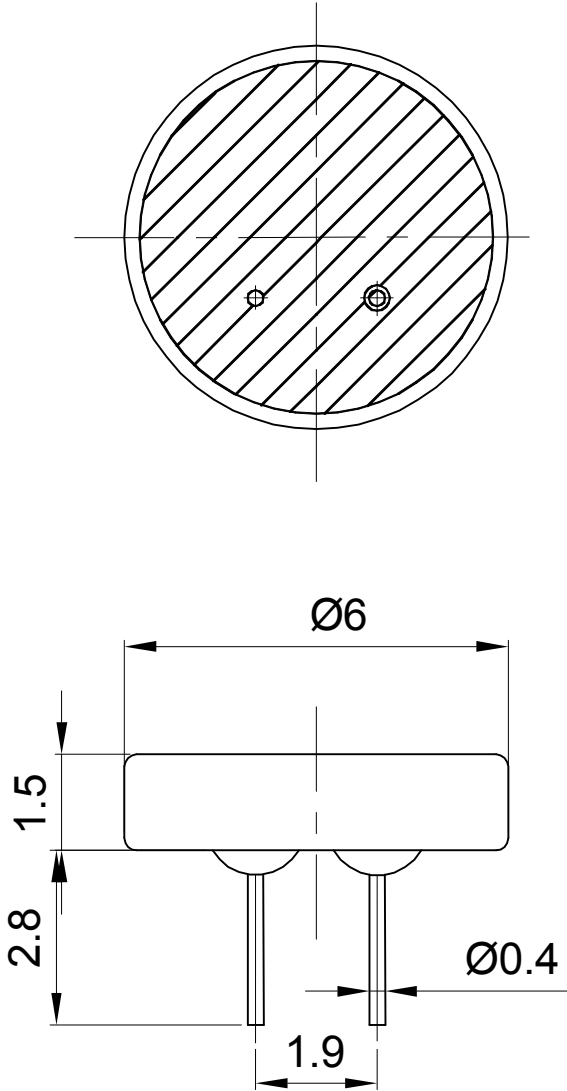


Typical Frequency Response CU+rve



Specification	Page	6/6
	Revision No.	1.0
Model No. : KPCM-60H13P-58dB	Drawing No.	KF3.002.289

7. Dimensions



FIRST ANGLE PROJECTION

UNIT : mm
Tolerance : ±0.2

Specification		Page	7/7
Model No. :	KPCM-60H13P-58dB	Revision No.	1.0
		Drawing No.	KF3.002.289

8. Cautions

8.1 The soldering copper of a smaller type of less than 20W shall be applied.

8.2 The temperaure of the working surface of the soldering copper shall be below 270 °C .

8.3 E.C.M shall be solderde fixed on the metal block (heat sink)which has the higher Radiation effects heat sink shall contact with each of E.C.M.

8.4 The soldering time for each terminal shall be 1~2 sec.

8.5 The pin hole soldering shall be avoided.

8.6 E.C.M may easily destroyed by the static electricity,and the countermeasure for eliminating The static electricity (the ground for soldering copper,for worktable and for human body) shall be executed.