

MIEC

SPECIFICATION OF BUZZER UNIT

PART NO. :

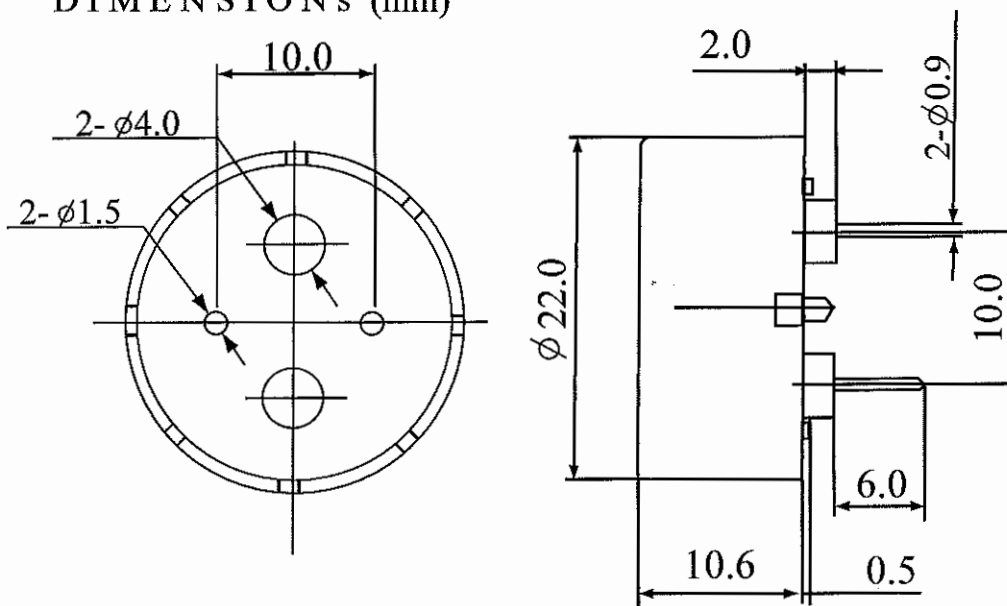
④

MPT20C

TECHNICAL CHARACTERISTICS

Operating Voltage	1~30Vpp
Rated Current	1mA max.
Capacitance at 120Hz, 25 Deg. C	28,000pF +/- 30%
S.P.L. at 10cm	75 dB min.
Resonant Frequency	2000 Hz +/- 500Hz
Operating Temperature Range	-20 ~ +70°C
Storage Temperature Range	-30 ~ +80°C

DIMENSIONS (mm)



Tolerance: +/-0.5mm

MOBICON
Electronic Components

Prepared By: Leo Wong

DOC. No: MPT20C