

1

2

3

4

5

6

7

8

A

A

B

B

C

C

D

D

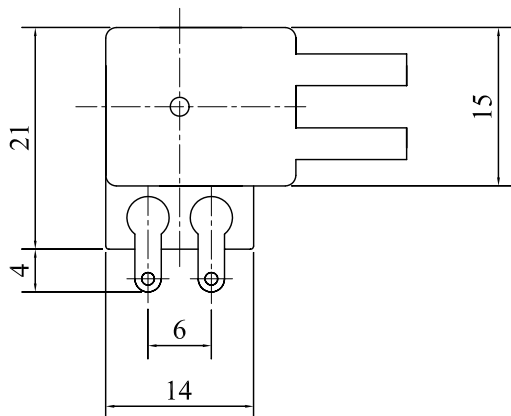
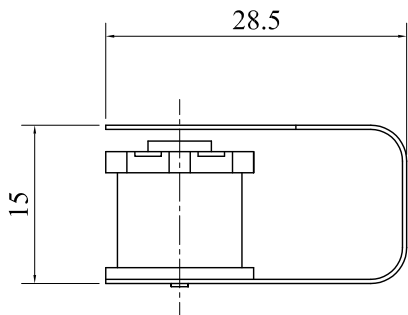
E

E

F

F

SPECIFICATION



- 1. Rated Voltage12VAC/50Hz
- 2. Operating Voltage10.5~13.5VAC/50Hz
- 3. Max. Rated Current250mA at 12VAC
- 4. Coil Resistance54.5 Ω±10%
- 5. Min. Sound Pressure Level.....75dB at 12VAC/20cm
- 6. Case MaterialABS
- 7. Operating Temperature-20~+60°C
- 8. Store Temperature-30~+70°C
- 9. Weight9g

				KEPO NINGBO KEEP IMPROVING ELECTRONIC CO.,LTD http://www.chinaacoustic.com	
				Magnetic Buzzer KPMB-28012	
No.	DESCRIPTION	APPROVED	DATE		
<small>TOLERANCES UNLESS NOTED OTHERWISE X = ± .XX = ± .XXX = ± 90° FOR ANGLES +2° ANGLES -1°</small>		DRAWN		UNIT	DWG NO.
		CHECKED		mm	KP3.840.608
FIRST ANGLE PROJECTION		APPROVED	03.01.15	SCALE	SHEET
					VER 1.0

1

2

3

4

5

6

7

8