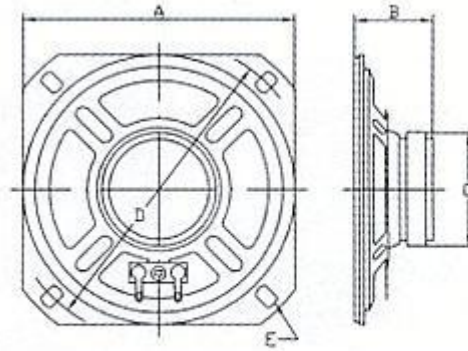


MRYD 103-04



Size				
A	B	C	D	E
102	33.5	45	115	4-5x7

Impedance	Noise Power	Max.Power	Sensitivity	Fo	Freq.resp
4,8,16 ohms	3 W	5 W	88 dB	170 Hz	fo-12000 Hz