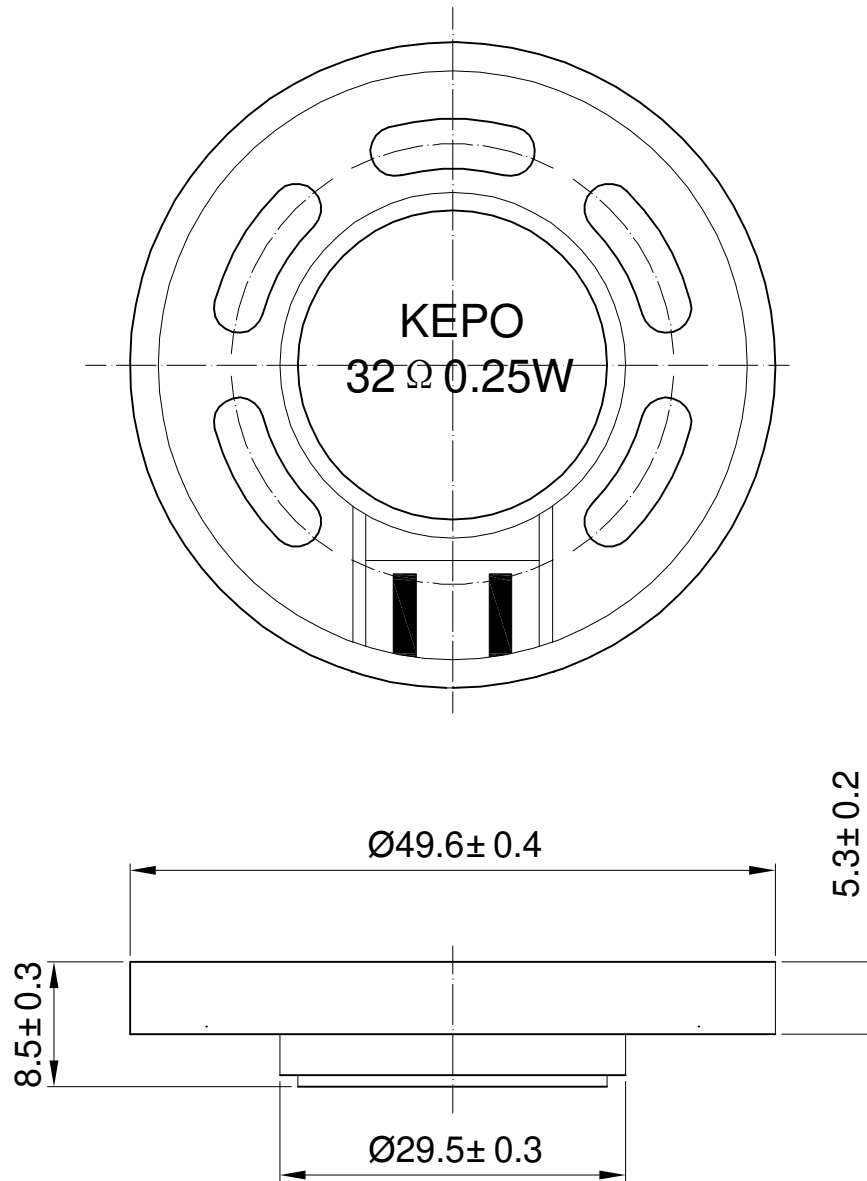


# Speaker Specification

Customer's Model No.		Customer	QUARTZ-1		
Kepo Model No.	KPSP5085PF-320.25A	Size	Φ50mm	No.	J22310
No.	Item	Specification	Test Condition		
1	Impedance	$32\Omega \pm 15\%$	at 1000Hz		
2	Resonant Fr. ( $f_0$ )	$600\text{Hz} \pm 20\%$			
3	Frequency Range	F0-5.0KHz			
4	Rated Power	0.25W			
5	Max Power	0.3W			
6	S.P.L.	$80 \pm 3\text{dB}$	0.1W / 0.1M at 1.0kHz		
7	Distortion	Max 5%	at rated power 1.0kHz		
8	Sweep Test	must be normal	at sine wave 2.83V		
9	Load Test	after test meet item 8	rated noise power, 24 Hrs.		
10	Heat Test	after test meet item 8	$50 \pm 2^\circ\text{C}$ 5Hrs.		
11	Cold Test	after test meet item 8	$-20 \pm 2^\circ\text{C}$ 5Hrs.		
12	Humidity Test	after test meet item 8	$40 \pm 2^\circ\text{C}$ , 90/95%R.H. 5Hrs.		
13	Weight				
14	Polarity Test	When supplied plus D.C. voltage to (+) terminal, the cone must move to forward.			
15	Note				

Dimensions:



FIRST ANGLE PROJECTION

UNIT : mm  
Tolerance :  $\pm 0.2$