

SPECIFICATION

Customer : E28

Applied To :

Product Name : Two mode speaker

Model Name : KP1810ST3

Drawing No. : KFC2417

Signature of Approval

--

Signature of KEPO

Approved by	Checked by	Issued by	Date



Ningbo Kepo Electronics Co.,Ltd.

*Address: No.25 Baoyuan Road Dongqian Lake Industrial Area
Dongqian Lake, Ningbo315121, China*

*Tel: +86(574)88371186, 88370330 Fax: +86(574)88370329
http://www.chinaacoustic.com E-mail: Sales@kepo.com.cn*

Specification for Two Mode Speaker	Page	2/9
Model No. : KP1810ST3	Revision No.	1.0
	Drawing No.	KFC2417

CONTENTS

1. Scope
2. General
3. Electrical and Acoustic Characteristics.
4. Reliability Test
5. Measurement Block Diagram & Response curve
6. Structure
7. Dimensions
8. Packing
9. Revision

Specification for Two Mode Speaker		Page	3/9
Model No. : KP1810ST3		Revision No.	1.0
		Drawing No.	KFC2417

1. Scope

This specification is applied to the two mode dynamic speaker which is used all of the electrical acoustic product.

- compact, rich sound
- applications: mobile phone, PDA, notebook computer, etc. ..

2. General

- 2.1 Out-Diameter : 1810 mm
- 2.2 Height : 4.0 mm
- 2.3 Weight : 1.0 gr.
- 2.4 Operating Temperature range:
-20~+70℃ without loss of function
- 2.5 Store Temperature range:
-40~+85℃ without loss of function

3. Electrical and Acoustic Characteristics.

Test condition : 15 ~ 35 ℃, 25% ~ 85% RH, 860~1060 mbar

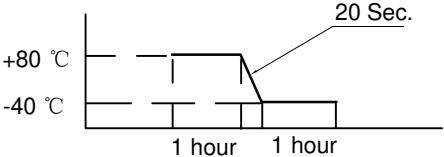
3.1 Speaker

	Items	Specification
1	Impedance	$8\ \Omega \pm 15\%$ (at 1Vrms,1.5kHz)
2	Sound Pressure Level	85dB \pm 3dB(1kHz/0.1W/0.1M)
3	Resonance Frequency	1000 Hz \pm 20%
4	Frequency Range	F ₀ ~ 10.0kHz
5	Input Power	Rated 0.5W / Max. 0.7W
6	Buzz and Rattle	Should not be audible buzzes,rattles when the 2.0V sine wave signal swept at frequency range.

Specification for Two Mode Speaker		Page	4/9
Model No. :	KP1810ST3	Revision No.	1.0
		Drawing No.	KFC2417

4. Reliability Test

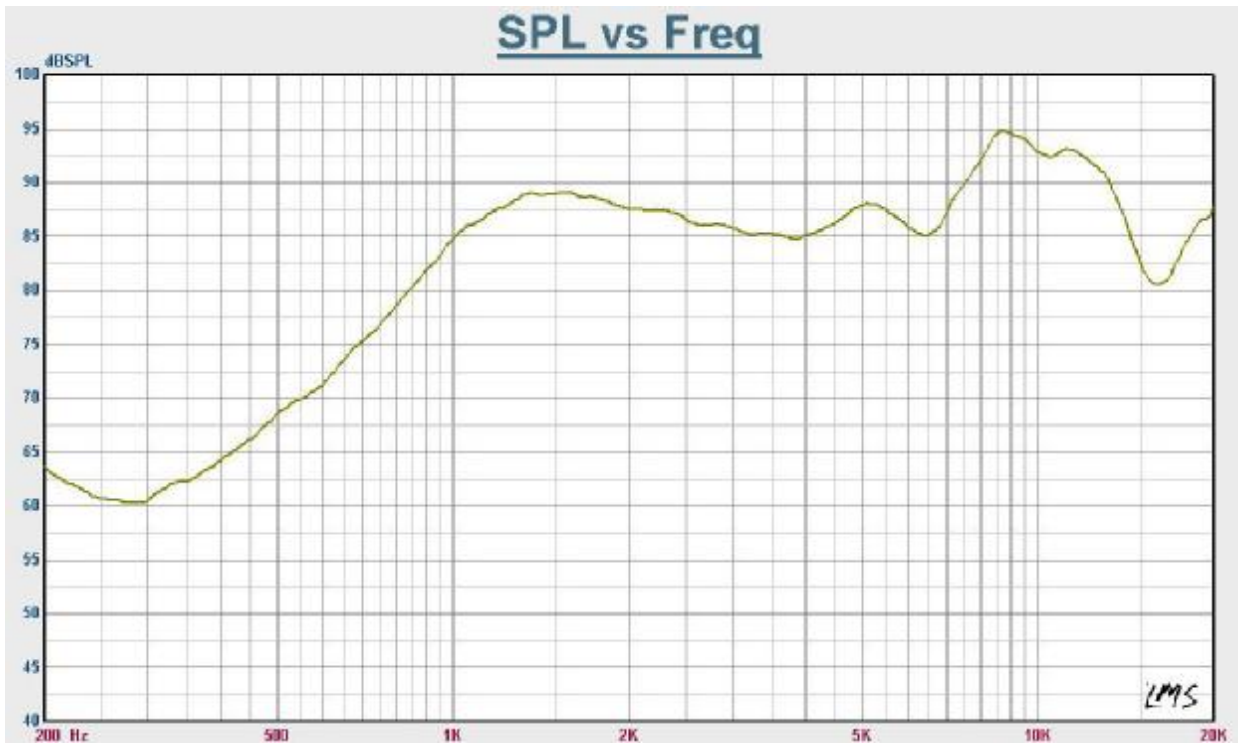
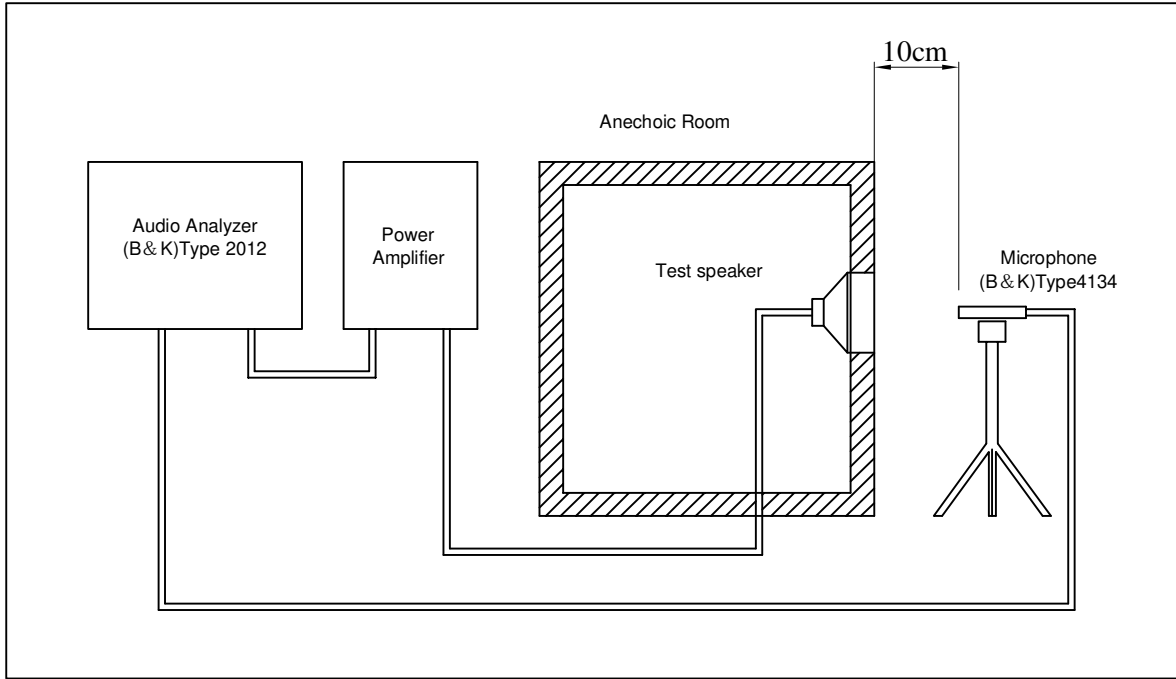
After test(1~7item), the speaker S.P.L . difference shall be within $\pm 3\text{dB}$, and the appearance not exist any change to be harmful to normal operation(e.g. cracks,rusts,damages and especially distortion).

	Item	Specification
1	High Temperature Test	After being placed in a chamber with $+85\pm 3\text{ }^\circ\text{C}$ for 96 hours and then being placed in natural condition for 1 hour, speaker shall be measured.
2	Low Temperature Test	After being placed in a chamber with $-40\pm 3\text{ }^\circ\text{C}$ for 96 hours and then being placed in natural condition for 1 hour, speaker shall be measured.
3	Humidity Test	After being placed in a chamber with 85 to 90%R.H. at $+40\pm 2\text{ }^\circ\text{C}$ for 96 hours and then being placed in natural condition for 1 hour, speaker shall be measured.
4	Thermal Shock Test	<p>After being placed in a chamber at $+80\text{ }^\circ\text{C}$ for 1 hour, then speaker shall be placed in a chamber at $-40\text{ }^\circ\text{C}$ for 1 hour(1 cycle is the below diagram).</p> <p>After 6 above cycles, speaker shall be measured after being placed in natural condition for 1 hour.</p> 
5	Vibration Test	After being applied vibration of amplitude of 1.5mm with 10 to 55Hz band of vibration frequency to each of 3 perpendicular directions for 1 hour, then placed in natural condition for 1 hour, speaker shall be measured.
6	Drop Test	The speaker when mounted in the jig which weight 85g~100g, shall with stand 15 times random drops from a height of 1.5 meter to a concrete floor faced with 5mm thick hard wood board.and be nothing mechanical damage.
7	Load test	The speaker after being applied loading white noise with input power 0.5W(2.0Vrms.) for 96 hours, then placed in natural condition for 1 hour, speaker shall be measured.

Specification for Two Mode Speaker		Page	5/9
Model No. : KP1810ST3		Revision No.	1.0
		Drawing No.	KFC2417

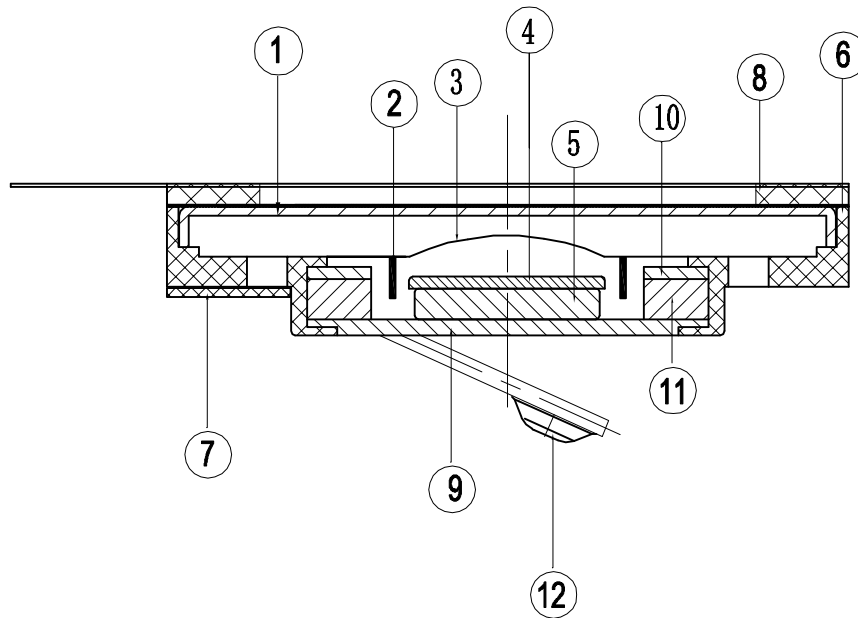
5. Measurement Block Diagram & Response curve

5.1 Speaker



Specification for Two Mode Speaker		Page	6/9
Model No. : KP1810ST3		Revision No.	1.0
		Drawing No.	KFC2417

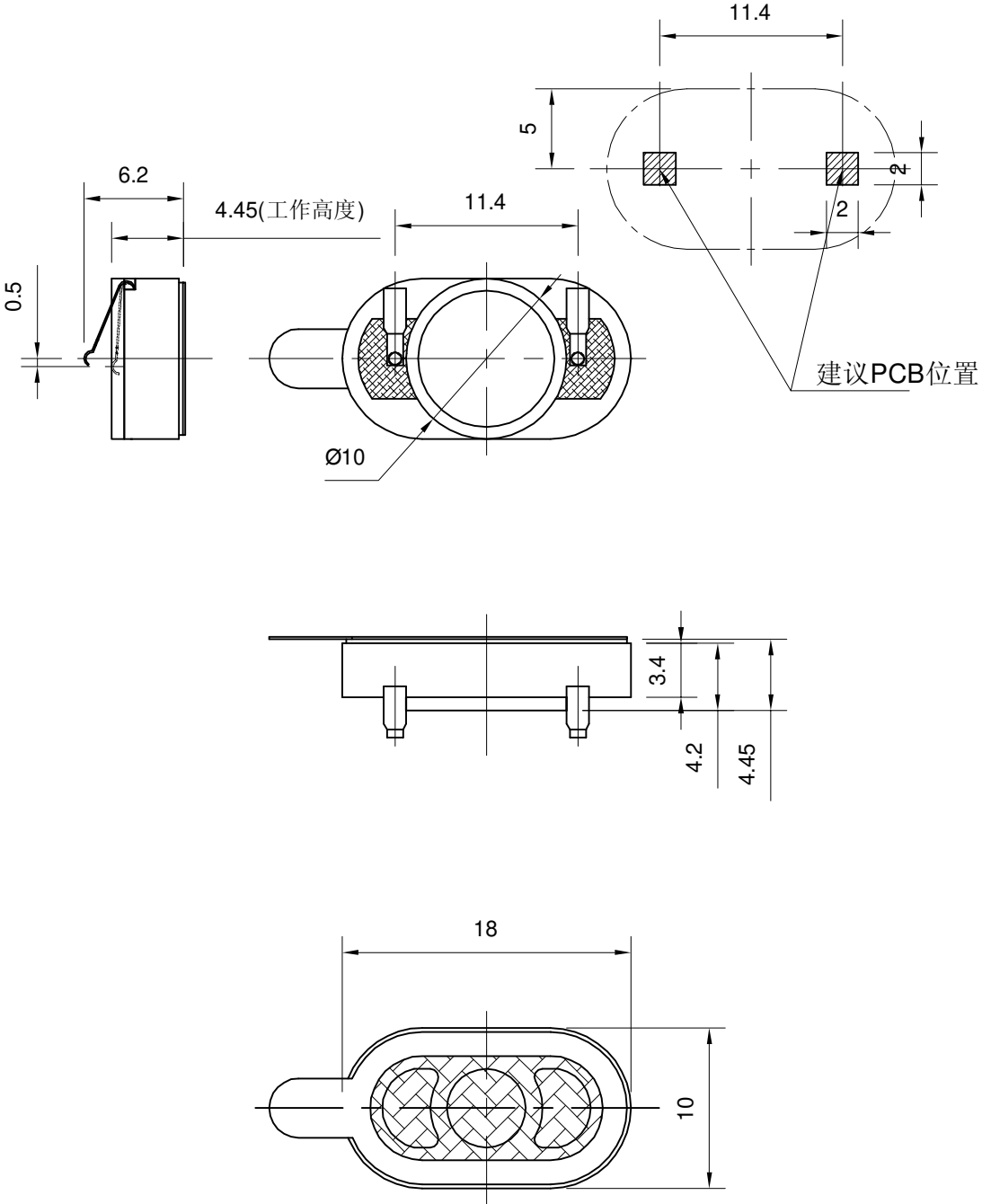
6. Structure



12	Spring	1	C5210	
11	Magnet	1	Nd-Fe-B	
10	Plate	1	SPC	
9	Plate	1	SPC	
8	Gasket	1	unwoven fabric	800+2B+800+PSR0.3+800
7	Terminal	1	spring	
6	Frame	1	PBT	
5	Magnet	1	Nd-Fe-B	
4	Plate	1	SPC	
3	Diaphragm	1	PEN	
2	Coil	1	Copper	
1	Cap	1	SUS304	
No.	Part Name	Q'TY	Material	Remarks

Specification for Two Mode Speaker		Page	7/9
		Revision No.	1.0
Model No. :	KP1810ST3	Drawing No.	KFC2417

7. Dimensions

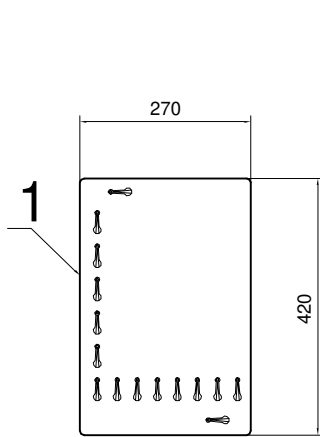


FIRST ANGLE PROJECTION

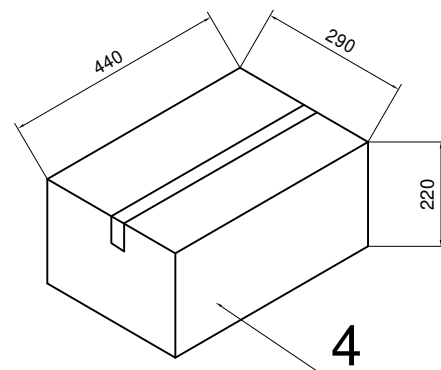
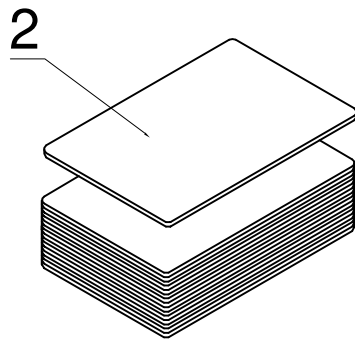
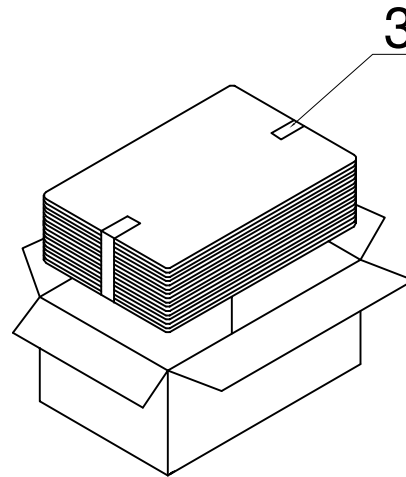
UNIT : mm
Tolerance : ±0.2

Specification for Two Mode Speaker	Page	8/9
	Revision No.	1.0
Model No. : KP1810ST3	Drawing No.	KFC2417

8. Packing



100Pcs



QTY: 2000Pcs
440 x290 x220

Specification for Two Mode Speaker		Page	9/9
		Revision No.	1.0
Model No. :	KP1810ST3	Drawing No.	KFC2417

9. Revision

Rev. No.	DATE	PAGE	DESCRIPTION	SIGN
1.0	2007.06.06		Primary	