

# SPECIFICATION

Customer : AUX

Applied To :

Product Name : Speaker

Model Name : KP2014SS1

Drawing No. : KFC1617

Signature of Approval

--

Signature of KEPO

Approved by	Checked by	Issued by	Date



**Ningbo Kepo Electronics Co.,Ltd.**

*Address: No.1 Yuyuan Road Dongqian Lake, Ningbo315121, China*

*Tel: +86(574)88371186, 88370330*

*Fax: +86(574)88370329*

*http://www.chinaacoustic.com*

*E-mail: Sales@kepo.com.cn*

Specification for Speaker		Page	2/9
Model No. :                    KP2014SS1		Revision No.	1.0
		Drawing No.	KFC1617

## CONTENTS

1. Scope
2. General
3. Electrical and Acoustic Characteristics.
4. Reliability Test
5. Measurement Block Diagram & Response curve
6. Structure
7. Dimensions
8. Packing
9. Revision

Specification for Speaker		Page	3/9
Model No. :                      KP2014SS1		Revision No.	1.0
		Drawing No.	KFC1617

## 1. Scope

This specification is applied to the dynamic speaker which is used all of the electrical acoustic product.

- compact, rich sound
- applications: mobile phone, PDA, notebook computer, etc. ...

## 2. General

- 2.1 Out-Diameter : 20x14 mm
- 2.2 Height : 3.4 mm
- 2.3 Weight : 1.60gr.
- 2.4 Operating Temperature range:  
-20~+60°C without loss of function
- 2.5 Store Temperature range:  
-40~+85°C without loss of function

## 3. Electrical and Acoustic Characteristics.

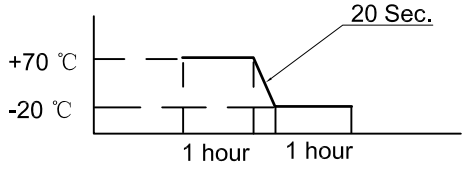
Test condition : 15 ~ 35 °C, 25% ~ 85% RH, 860~1060 mbar

	Items	Specification
1	Impedance	8 Ω ± 15%(at 1Vrms,1.5kHz)
2	Sound Pressure Level	86dB ± 3dB( 1kHz/0.1W/0.1M )
3	Resonance Frequency	950 Hz ± 20%
4	Frequency Range	F <sub>0</sub> ~ 20.0kHz
5	Input Power	Rated 0.5W / Max. 1.0W
6	Buzz and Rattle	Should not be audible buzzes,rattles when the 2.0V sine wave signal swept at frequency range.

Specification for Speaker		Page	4/9
Model No. : KP2014SS1		Revision No.	1.0
		Drawing No.	KFC1617

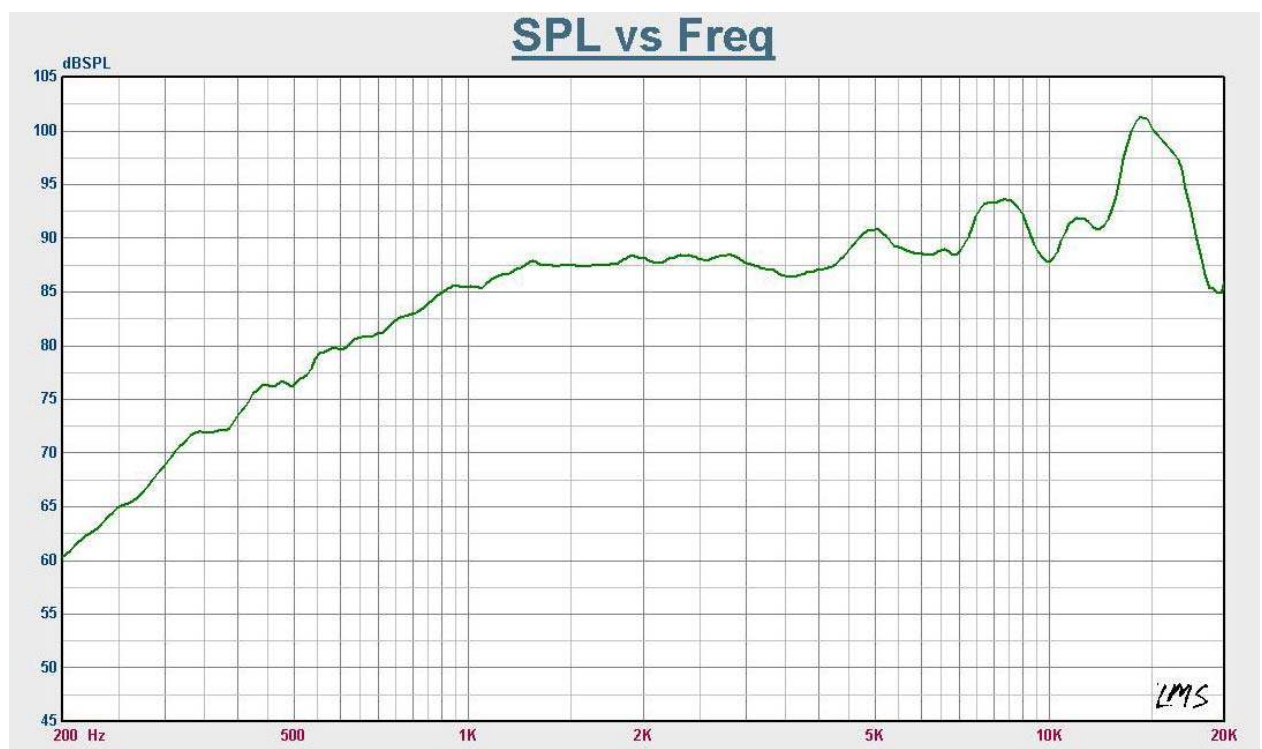
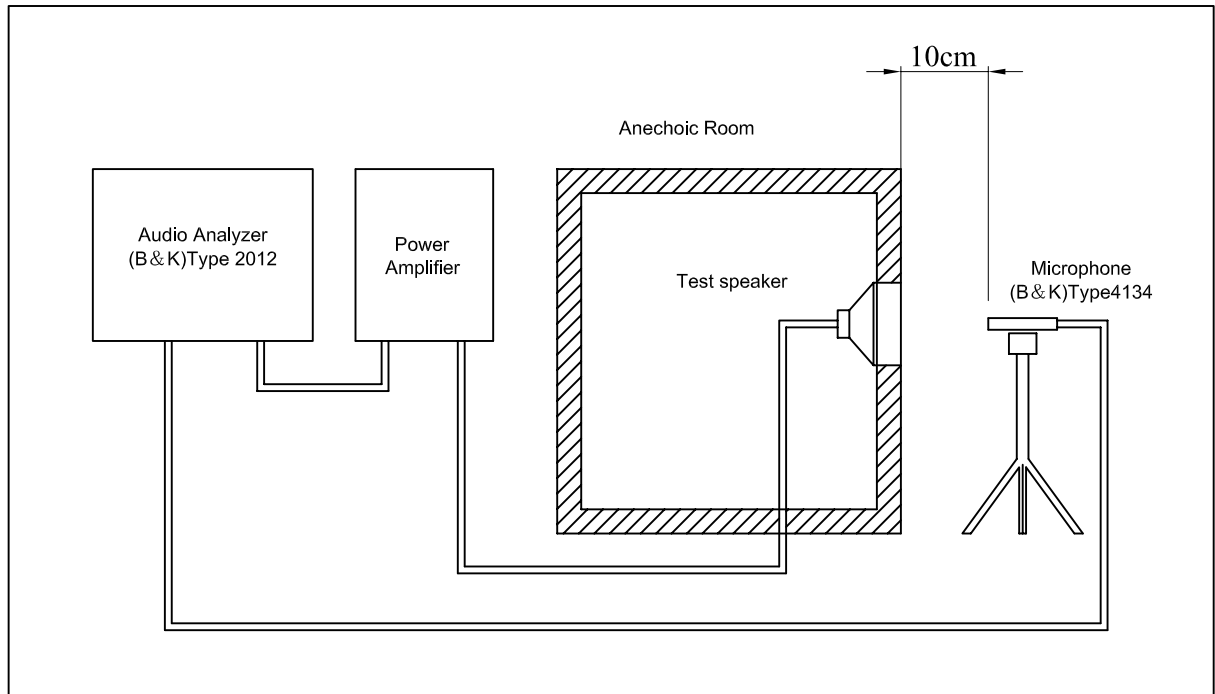
## 4. Reliability Test

After test(1~7item), the speaker S.P.L . difference shall be within  $\pm 3\text{dB}$ , and the appearance not exist any change to be harmful to normal operation(e.g. cracks,rusts,damages and especially distortion).

	Item	Specification
1	High Temperature Test	After being placed in a chamber with $+70\pm 2\text{ }^\circ\text{C}$ for 96 hours and then being placed in natural condition for 1 hour, speaker shall be measured.
2	Low Temperature Test	After being placed in a chamber with $-20\pm 2\text{ }^\circ\text{C}$ for 96 hours and then being placed in natural condition for 1 hour, speaker shall be measured.
3	Humidity Test	After being placed in a chamber with 90 to 95%R.H. at $+40\pm 2\text{ }^\circ\text{C}$ for 96 hours and then being placed in natural condition for 1 hour, speaker shall be measured.
4	Thermal Shock Test	<p>After being placed in a chamber at <math>+70\text{ }^\circ\text{C}</math> for 1 hour, then speaker shall be placed in a chamber at <math>-20\text{ }^\circ\text{C}</math> for 1 hour(1 cycle is the below diagram).</p> <p>After 6 above cycles, speaker shall be measured after being placed in natural condition for 1 hour.</p> 
5	Vibration Test	After being applied vibration of amplitude of 1.5mm with 10 to 55Hz band of vibration frequency to each of 3 perpendicular directions for 1 hour, then placed in natural condition for 1 hour, speaker shall be measured.
6	Drop Test	The speaker when mounted in the jig which weight 85g~100g, shall with stand 15 times random drops from a height of 1.5 meter to a concrete floor faced with 5mm thick hard wood board.and be nothing mechanical damage.
7	Load test	After being applied loading white noise with input power 0.5W(2.0Vrms.) for 96 hours, then placed in natural condition for 1 hour, speaker shall be measured.
8	Insulation test	When they are measured with DC 100V the insulation resistance between v.c. terminal and frame must be more than 1 M $\Omega$

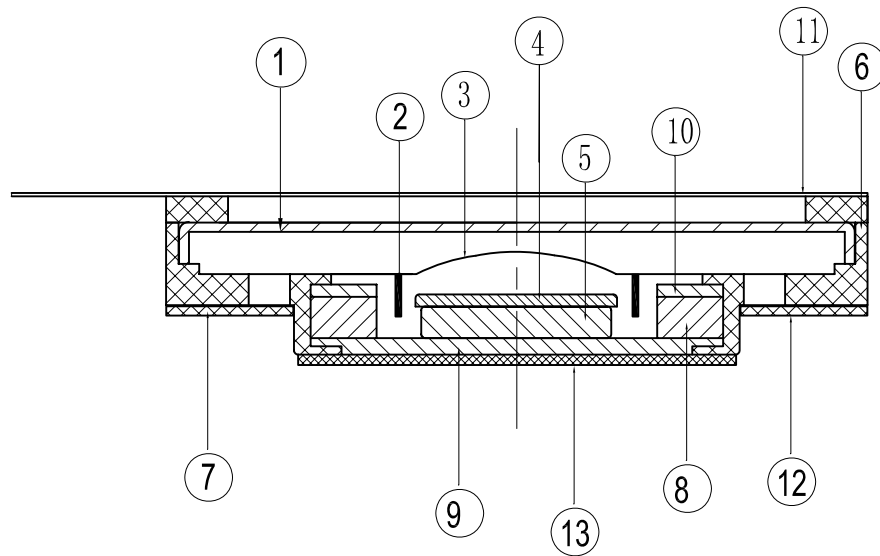
Specification for Speaker		Page	5/9
Model No. : KP2014SS1		Revision No.	1.0
		Drawing No.	KFC1617

## 5. Measurement Block Diagram & Response curve



Specification for Two Mode Speaker		Page	6/9
		Revision No.	1.0
Model No. :	KP2014SS1	Drawing No.	KFC1617

## 6. Structure

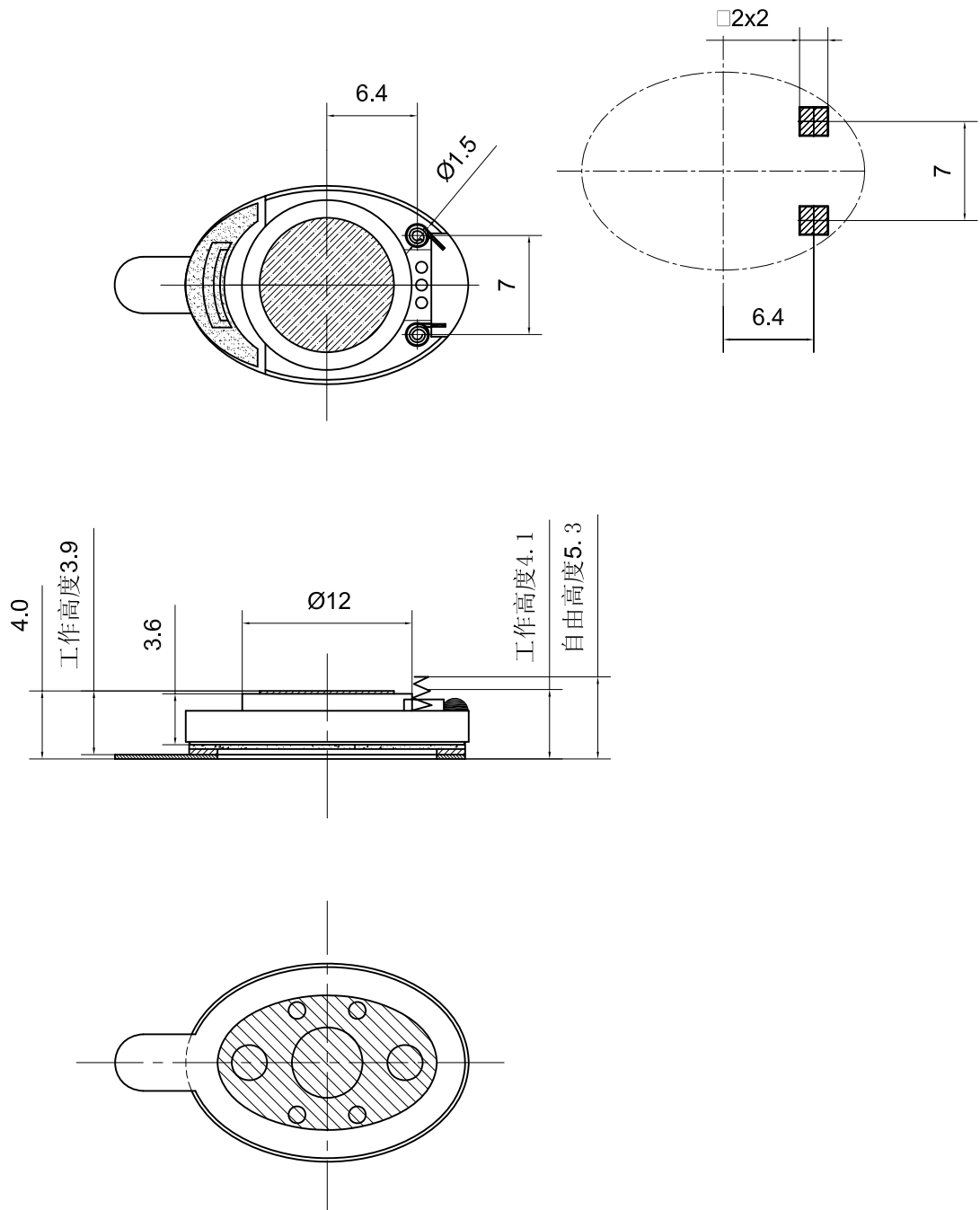


13	Taple	1	PET	800+PET100
12	Screen	1	2B	
11	Gasket	1	unwoven fabric	800+2B+800
10	Plate	1	SPC	
9	Plate	1	SPC	
8	Magnet	1	Nd-Fe-B	
7	Terminal	1	Epoxy PCB	
6	Frame	1	PBT	
5	Magnet	1	Nd-Fe-B	
4	Plate	1	SPC	
3	Diaphragm	1	PEN	
2	Coil	1	Copper	
1	Cap	1	SUS304	
No.	Part Name	Q'TY	Material	Remarks

Specification for Speaker		Page	7/9
		Revision No.	1.0
Model No. :	KP2014SS1	Drawing No.	KFC1617

## 7. Dimensions

pcb布局图



FIRST ANGLE PROJECTION

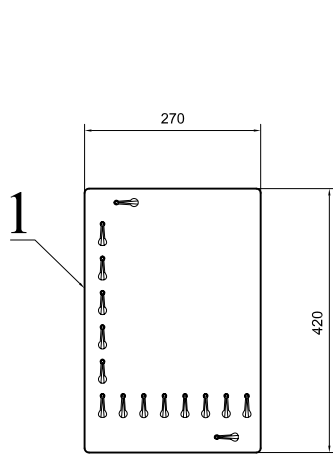


UNIT : mm

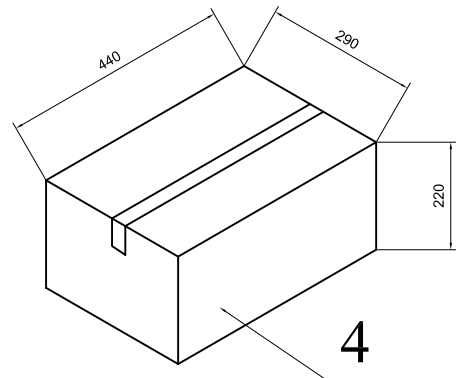
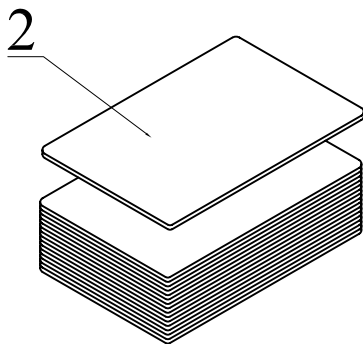
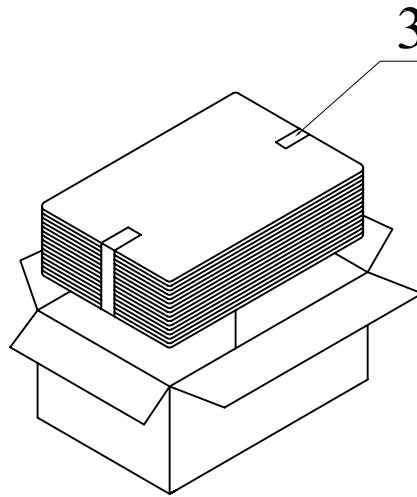
Tolerance :  $\pm 0.2$

Specification for Speaker		Page	8/9
		Revision No.	1.0
Model No. :	KP2014SS1	Drawing No.	KFC1617

## 8. Packing



100Pcs



QTY: 2000Pcs  
440 x290 x220



Specification for Speaker		Page	9/9
Model No. : KP2014SS1		Revision No.	1.0
		Drawing No.	KFC1617

## 9. Revision

Rev. No.	DATE	PAGE	DESCRIPTION	BOM
1.0	2006.06.02		Primary	