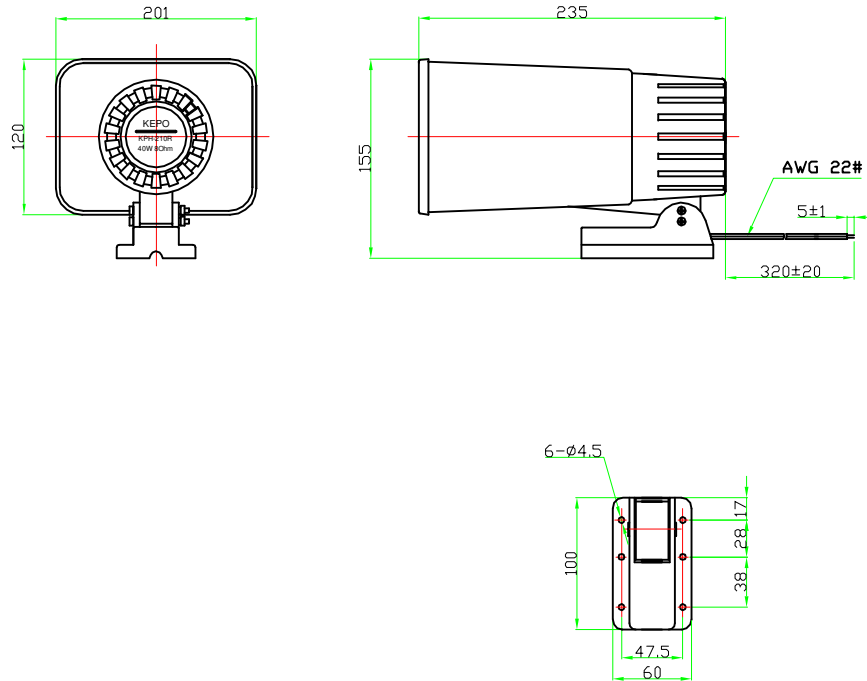


Specification

(Test Condition, 25°C)



1. Housing Material/ Color..... ABS / White
2. Voice Coil Impedance 8 Ohm (at 1 KHz)
3. Voice Coil Dimension Ø 33.5 mm(Dia.)
4. Magnet Size Ø 80x40x12mm(Dia.* dia.*H)
5. Power Rating RMS 35 W
6. Power Rating Peak 40 W
7. Frequency Range 800-8000Hz
8. Resonant Freq. Fo. 1.5 KHz ±10%
9. S.P.L. 100±3 dB(at 1 meter, 2.83V,1000Hz)
10. Operating Temperature Range -20 ~ +65°C
11. Wires Connection RED Black (Non-polarized)
12. Weight 1050 ±10 g

				KEPO NINGBO KEPO ELECTRONIC CO.,LTD http://www.chinaacoustic.com	
No.		DESCRIPTION	APPROVED	DATE	Electronic horn KPH-210R-2347
			APPROVALS	DATE	
<small> TOLERANCES UNLESS NOTED OTHERWISE: .X * .XX * .XXX * 90° FORMED ±2° ANGLES ±1° FIRST ANGLE PROJECTION </small>		DRAWN			UNIT
		CHECKED			mm
		APPROVED			DWG NO.
				06.09.27	SCALE
					NOT TO SCALE
					SHEET
					VER 1.0