

# 宁波凯普电子有限公司

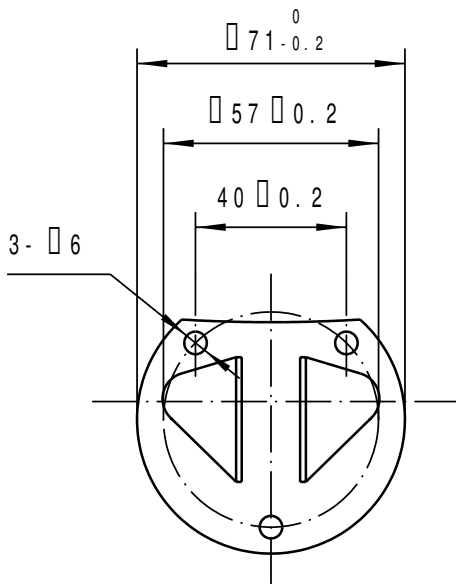
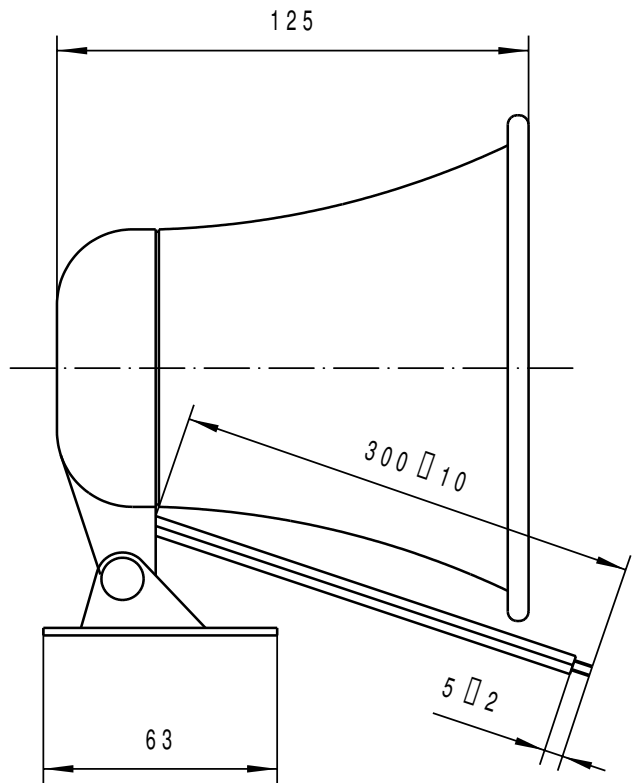
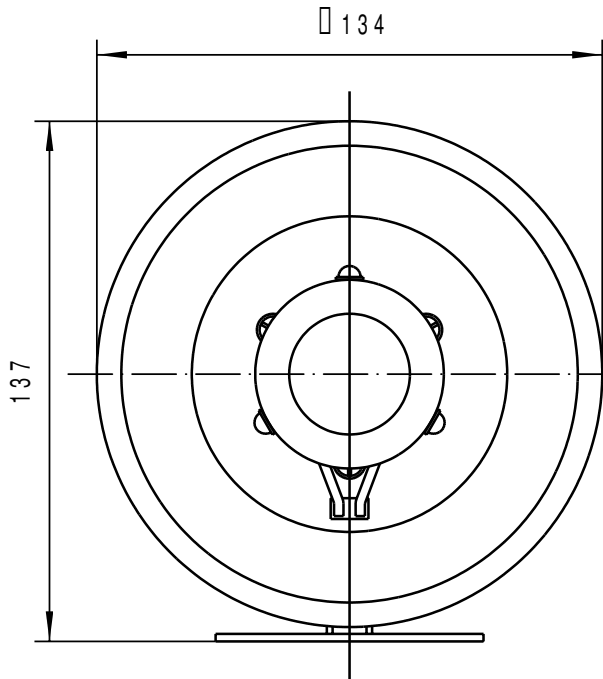
Ningbo Keep Improving Electronics Co.Ltd.

Tel:(+86)0574-88370330  
Fax:(+86)0574-88370329

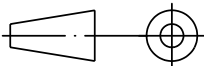
E-Mail: kepo@mail.nbptt.zj.cn  
Http://www.chinaacoustic.com

## 制 品 规 格 书 Engineering Laboratory Specification

客户名称 Customer		凯普型号 Kepo Model	KPH- 51 GK			
客户型号 Customer NO.		图号 DWG NO.	KP3.840.484			
概述 Scop.	此确认书仅使用于电子式报警器 This specification is only used for electronic siren					
编号 NO.	项 目 Items	规 格 Specifications				
1	频率范围 Freq. Resp.	400-7000 Hz				
2	阻抗 Impedance	8 $\Omega$				
3	额定功率 Rating Power	10 W				
4	灵敏度 S. P. L. W/M	104 dB				
5	音圈直径 Voice Coil Dia.	25 mm				
6	壳体材料/颜色 Shell Material/Color	AL/ GOLDEN				
7	重量 Weight	445 g				
备 注 Note:						
设计 Designed By	查核 Checked By	承认 Approved By	版本 VER.	1.0	日期 Date	02.04.24



FIRST ANGLE PROJECTION



CUSTOMER



TEL:(+86)574-88370330 FAX:(+86)574-88370329

Http://www.chinaacoustic.com

Ningbo Keep Improving Electronics Co. Ltd.

TOLERANCES UNLESS NOTED OTHERWISE

.X ±  
.XX ±  
.XXX ±

90° FORMED +2°  
ANGLES -1°

CUSTOMER NO.

TITLE

KPH- 51 GK

DRAWN

PROJ.

REV.

1.0

DWG NO.

QA.

DATE

02.04.24

SHEET

KP3.840.484