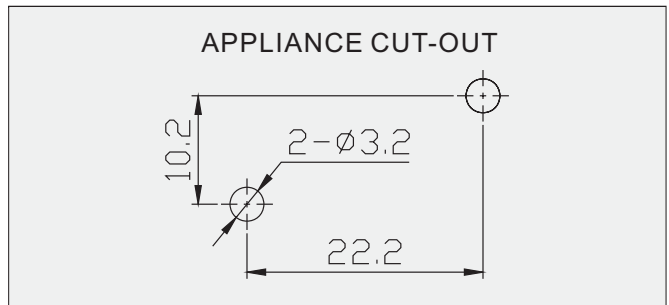
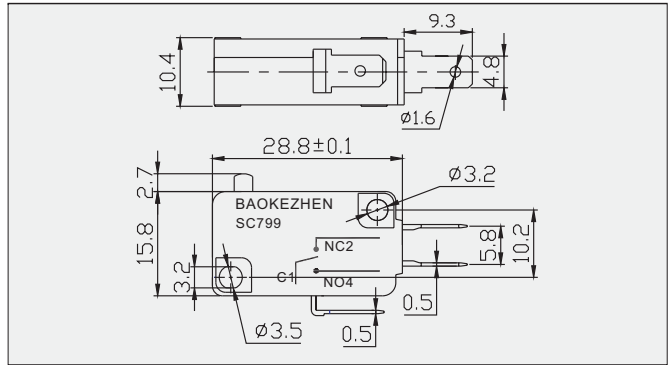


SC799-1N2H



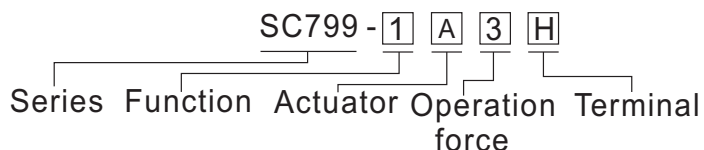
◆ PRODUCT ADVANTAGE

- Various terminal for your choice
- Excellent actuation characteristic
- Excellent Beryllium Copper spring support enough contact force and ensure mechanical life
- Various operation force for your choice
- Usually use in oven、coffee maker、stirrer,ets

◆ TECHNICAL SPECIFICATIONS

Electrical rating	15. 1A 125/250VAC 16(6)A 250VAC T125 5E4
Electrical life	1E4
Mechanical life	5E4
Operation force	15-250gf
Operation travel	0.7-1.2mm
Contact resistance	≤20m Ω
Insulation resistance	> 100M Ω
High voltage resistance	1000 VAC
Resistance to tracking	PTI 175
Contact gap DT with centre-OFF	<3mm
Protection type	IP20
Ambient temperature	0℃...+125℃
Flammability	UL94V-0
Heat and fire resistance	850℃
Material of housing and rocker	PA/PC
Material of Contacts	Ag or AgCdO
Material of Terminals	Copper Alloy
Temperature rise at the terminals (According to electrical life endurance)	Max.30K (UL1054) Max.55K (EN61058-1)
Push-on force of terminals	≥96N
Approval marks	
Suitable for appliances of protection class II	

◆ PART NUMBER



Function(1)		
Function	Circuitry	Code
SPDT CHANGE		1
SPST NORMAL OPEN		2
SPST NORMAL CLOSE		3

Operation Force(3)	
Operation Force	Code
15±8gf	1
50±10gf	2
80±15gf	3
120±20gf	4
180±30gf	5
250±50gf	6
Custom	7

Actuator(2)	
Versions	Code
	N
	A
	C
	D
	E
	R

Terminals(4)					
Terminals	Versions	Code	Terminals	Versions	Code
Quick-connect terminal 4.8X0.5mm		H	Quick-connect terminal 6.3X0.8mm		W
Quick-connect terminal 4.8X0.8mm		H1	Solder Terminal		C

Examples of Common Part Numbers and Descriptions

Part Number	Circuitry	Switch Function	Actuator	Operation Force	Terminal Type
SC799-1A3H		SPDT CHANGE	A	80±15gf	Quick-connect terminal 4.8X0.5mm
SC799-2D5W		SPST NORMAL OPEN	D	180±30gf	Quick-connect terminal 6.3X0.8mm
SC799-3E6H		SPST NORMAL CLOSE	E	250±50gf	Quick-connect terminal 4.8X0.5mm