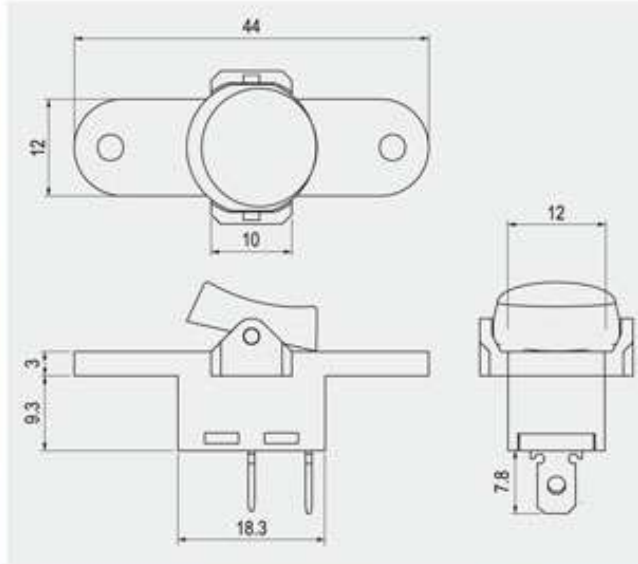
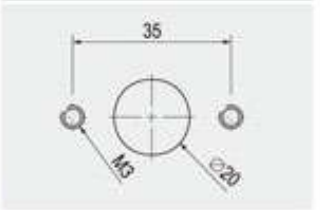


R13-235

Screw Mounting Type



Rating
8A 125V AC 1/3HP 8A 250V AC 1/2HP
Contact resistance
50mΩ Max
Insulation resistance
DC 500V 100MΩ Min
Dielectric strength
AC 1500V 1 minute
Cut-out



FEATURES

- * MATERIAL: Frame is nylon (UL flame: 94V-2). Base is nylon with fiber glass. Terminals are silver plated brass.
- * Illuminated actuators are molded in PC, available with red, amber, green, blue and white colors.
- * Mounted by screws.

R13-235 -

