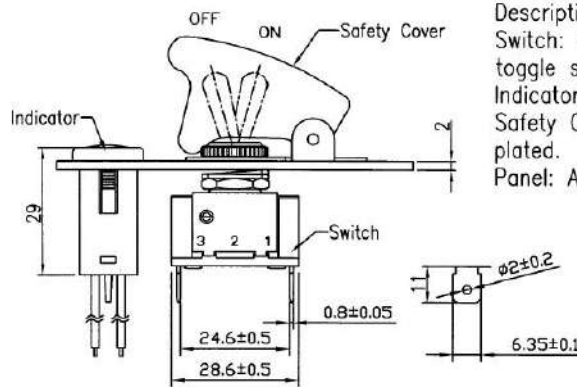
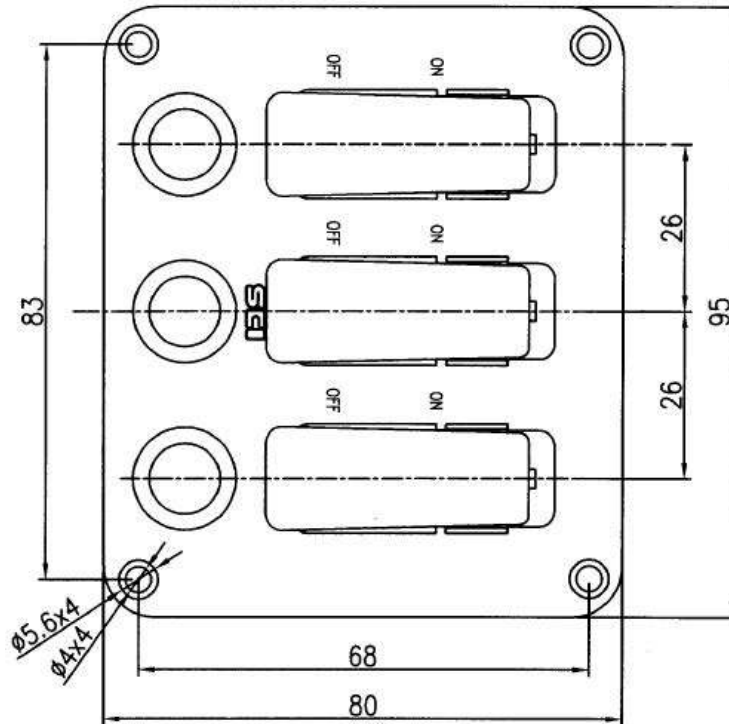


Control Panel Switch, Three switches

Rating	20A 12VDC, 10A 24VDC	Mounting Hole 	Circuit Diagram
Contact Resistance	50m ohm Max		
Insulation Resistance	DC 500V 100M ohm Min		
Dielectric Strength	AC 1500V 1minute		



Descriptions:
 Switch: R13-5, 2P SPST ON-OFF toggle switch.
 Indicator: R9-100L, Red LED.
 Safety Cover: R17-10, Bright red plated.
 Panel: Aluminum, Hair-line finished.



Unit: mm