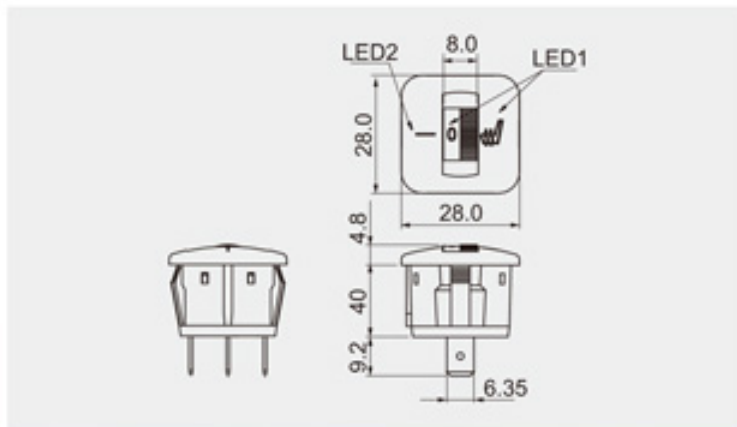


R13-920-01

Thumbwheel Switch



FEATURES

- * MATERIAL: Frame is nylon. Cap and thumbwheel are PC. Terminals are tin plated brass.
- * 4 positions (OFF/LOW/MID/HIGH) adjusted by the thumbwheel; for more positions required, contact sales dept.
- * Laser marking for the symbols.
- * Visible symbols with backlight LED.
- * LED 1: single color LED always illuminated.

Rating

10K ohms, 12V DC

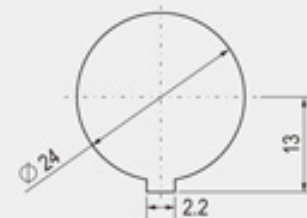
Insulation resistance

DC 500V 100MΩ Min

Dielectric strength

AC 1000V 1 minute

Cut out



0.7~3.0mm max

TERMINAL

0 1  .250" SQ