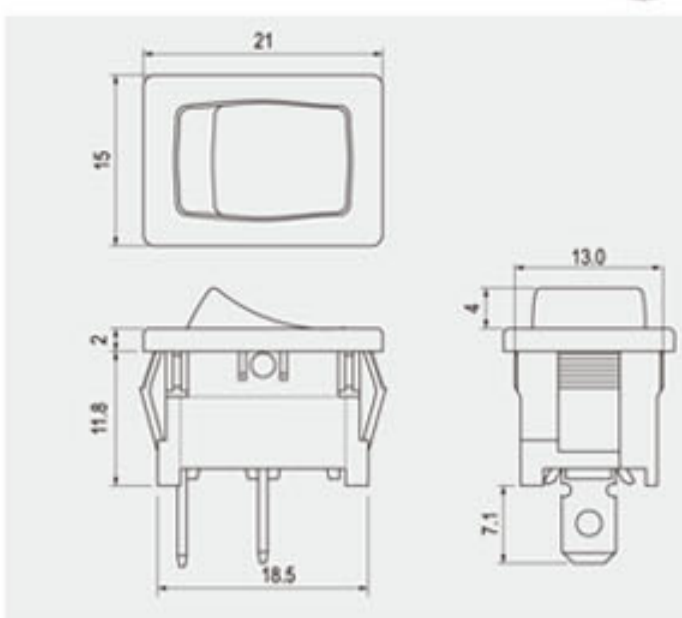


R13-66



Rating	
16A 125V AC	1/3HP 125V AC
10A 250V AC	1/2HP 250V AC
Contact resistance	
50mΩ Max	
Insulation resistance	
DC 500V 100MΩ Min	
Dielectric strength	
AC 1500V 1 minute	
Cut-out	
X	Y

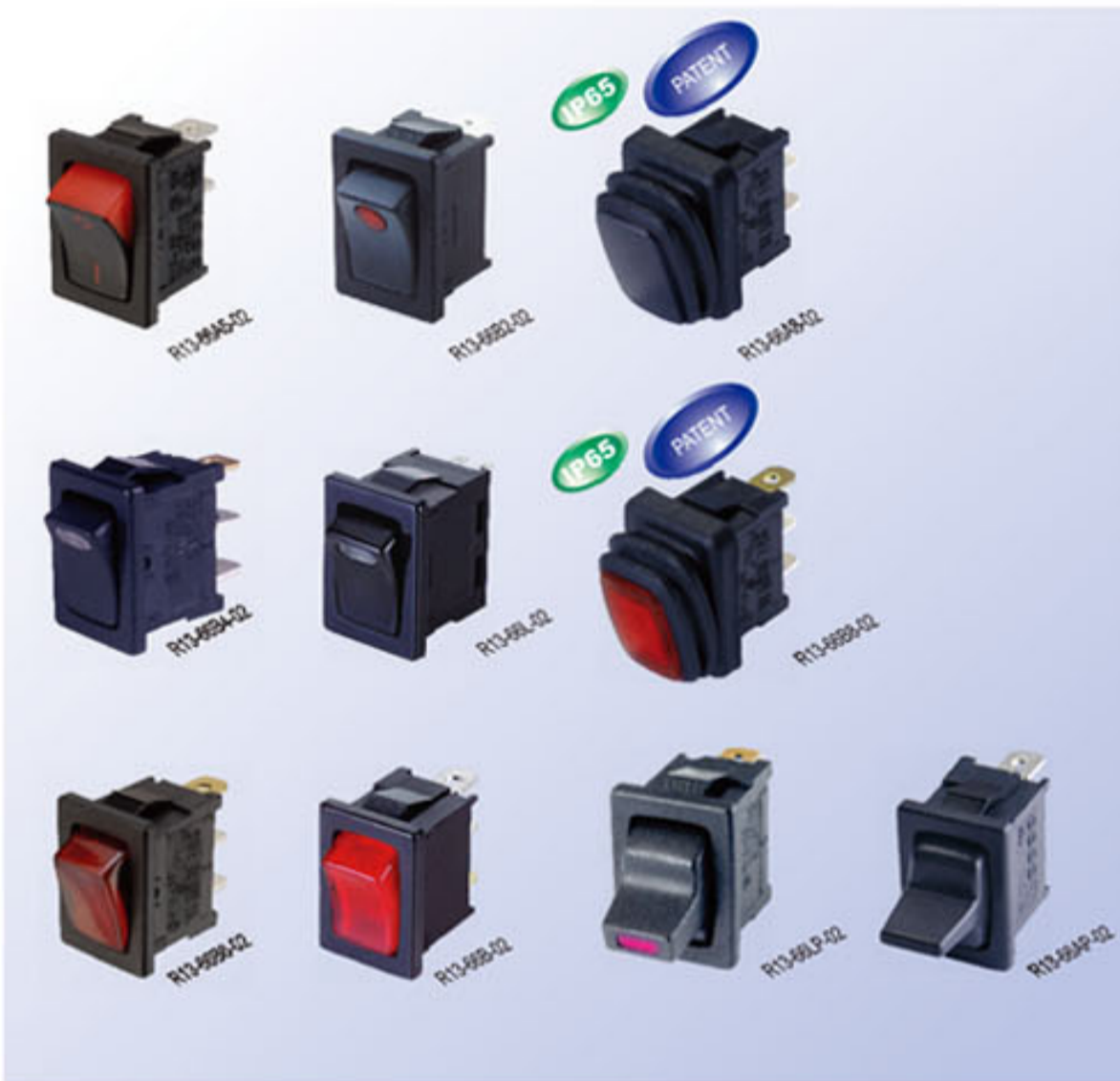
Size	X	Y
0.75-1.25	19.2±0.1	13.0±0.1
1.25-2	19.4±0.1	13.0±0.1
2-3	19.8±0.1	13.0±0.1

Cut-out for X8 ROCKER

Size	X	Y
0.75-1.25	19.4±0.1	13.0±0.1
1.5-2.5	19.8±0.1	13.0±0.1

FEATURES

- * MATERIAL: Frame is nylon (UL flame: 94V-2). Terminals are silver plated brass.
- * Illuminated actuators are molded in PC, available with red, amber, green, blue and white colors.
- * Snap-in mounting, easy to install switch into panel.
- * Waterproof cover is optional.
- * The only difference between R13-66B and R13-66B6 is the rocker style.



Ordering number instruction

R13-66 - - -

FUNCTION		TERMINAL
Different button (按鈕不同)		0 2 □ .187" SQ
A	A 5	0 5 □ SO
A P		0 9 □ PC
Illuminated / Different button (帶燈/按鈕不同)		1 0 □ PC ANGLE
B	B 2	1 2 □ SO
B 4	B 6	
Momentary / Illuminated / Different button (彈回/帶燈/按鈕不同)		ROCKER
B F	B 2 F	A/B/BF/C/D/E/F
B 4 F	B 6 F	G/H/I
Different position / Different button (動作特性不同/按鈕不同)		B, BF transparent
C	C P	A5
D	D P	B, BF transparent
Momentary / Different button (彈回/按鈕不同)		B2/B2F
E	F	L/B4/BF4
G	H	AP/CP/DP/HP/IP
H P	I	B6/B6F
I P		B6, B6F transparent
Independent circuit / Different button (獨立運路/按鈕不同)		A8/B8/B8F/C8
L	L P	F8
Waterproof (防水)		
A 8	B 8	
B 8 F	C 8	
F 8		