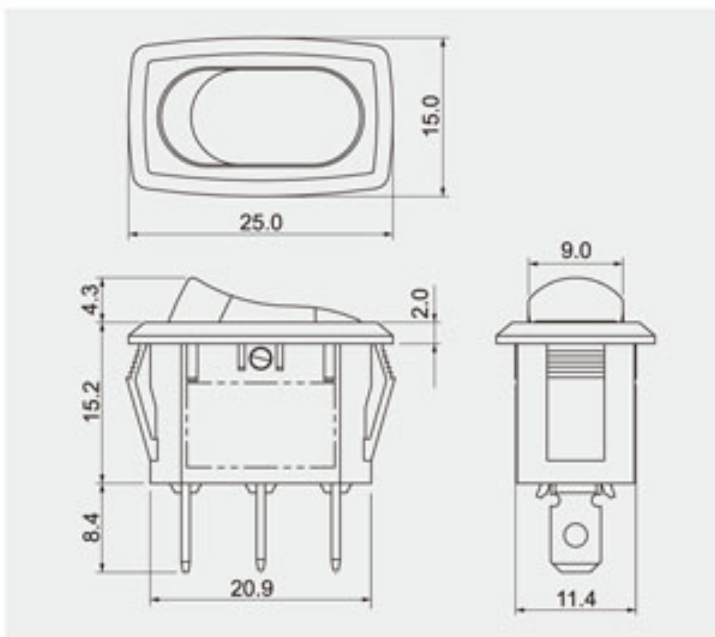


# R13-278



## Rating

16A 125V AC  
10A 250V AC  
1/2HP 125V~ 250V

## Contact resistance

50mΩ Max

## Insulation resistance

DC 500V 100MΩ Min

## Dielectric strength

AC 1500V 1 minute

## Cut-out

	X	Y
±		
0.75-1.25	23.0±0.1	11.6±0.1
1.25-2	23.3±0.1	11.6±0.1
2-3	23.6±0.1	11.6±0.1

## Cut-out for X8 ROCKER

	X	Y
±		
0.75-1.5	23.3±0.1	11.6±0.1
1.50-2.5	23.6±0.1	11.6±0.1

## FEATURES

- \* MATERIAL: Frame is nylon (UL flame: 94V-2). Terminals are silver plated brass.
- \* Illuminated actuators are molded in PC, available with red, amber, green, blue and white colors.
- \* Snap-in mounting, easy to install switch into panel.



## Ordering number instruction

R13-278 -

FUNCTION		TERMINAL
<b>Illuminated button (帶燈)</b> <b>Momentary / Illuminated button (彈回/帶燈)</b> <p>3P SPST (NEON) 125VAC 33KΩ / 250VAC 150KΩ</p>	<p>3P SPST (NEON) 125VAC 33KΩ / 250VAC 150KΩ</p>	0 2  .187" SQ 0 9  PC <small>N/A for B,B8,BF,B8F</small> 1 0  PC ANGLE <small>N/A for B,B8,BF,B8F</small> 1 2  SO <small>N/A for B,B8,BF,B8F</small>
<b>Different position (動作特性不同)</b>		
<p>2P SPST</p>	<p>3P SPDT</p>	
<b>Momentary (彈回)</b>		
<p>2P SPST</p>	<p>2P SPST</p>	
<p>3P SPDT</p>	<p>3P SPDT</p>	
<p>3P SPDT</p>		
<b>Waterproof (防水)</b>		
<p>2P SPST</p>	<p>3P SPST (NEON) 125VAC 33KΩ / 250VAC 150KΩ</p>	<p>3P SPST (NEON) 125VAC 33KΩ / 250VAC 150KΩ</p>
<p>3P SPDT</p>	<p>2P SPST</p>	