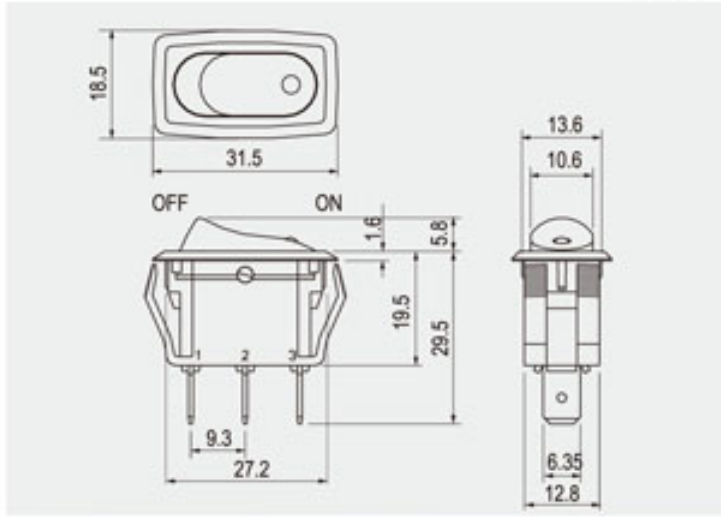


R13-238



Rating
20A 125V AC 1/3HP • 16A 250V AC 1/2HP 10(4) 250V-T85
Contact resistance
50mΩ Max
Insulation resistance
DC 500V 100MΩ Min
Dielectric strength
AC 1500V 1 minute
Cut-out

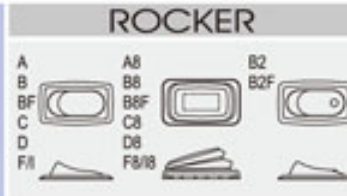
	X	Y
	X	Y
0.75-2.5	29.4±0.1	13.8±0.1
2.50-3.5	29.4±0.1	13.8±0.1
3.50-4.5	29.4±0.1	13.8±0.1

Cut-out for X8 ROCKER

	X	Y
	X	Y
0.75-2.5	27.6±0.1	13.8±0.1
2.50-3.5	27.8±0.1	13.8±0.1
3.50-4.5	28.0±0.1	13.8±0.1

FEATURES

- * MATERIAL: Frame is nylon (UL flame: 94V-2). Terminals are silver plated brass.
- * Illuminated actuators are molded in PC, available with red, amber, green, blue and white colors.
- * Snap-in mounting, easy to install switch into panel.



Ordering number instruction

R13-238 -

FUNCTION		TERMINAL								
Different position (動作特性不同)		0 1 .250" SQ								
<table border="0"> <tr> <td>A</td> <td>C</td> <td>D</td> </tr> <tr> <td></td> <td></td> <td></td> </tr> </table>		A	C	D				0 5 SO <small>N/A for D8/I8</small>		
A	C	D								
Illuminated / Different button (帶燈/按鈕不同)		Momentary / Illuminated / Different button (彈回/帶燈/按鈕不同)								
<table border="0"> <tr> <td>B</td> <td>B 2</td> <td>B F</td> <td>B 2 F</td> </tr> <tr> <td></td> <td></td> <td></td> <td></td> </tr> </table>		B	B 2	B F	B 2 F					
B	B 2	B F	B 2 F							
Momentary (彈回)										
<table border="0"> <tr> <td>F</td> <td>I</td> </tr> <tr> <td></td> <td></td> </tr> </table>		F	I							
F	I									
Waterproof (防水)										
<table border="0"> <tr> <td>A 8</td> <td>B 8</td> <td>B 8 F</td> <td>C 8</td> </tr> <tr> <td></td> <td></td> <td></td> <td></td> </tr> </table>			A 8	B 8	B 8 F	C 8				
A 8	B 8	B 8 F	C 8							
<table border="0"> <tr> <td>D 8</td> <td>F 8</td> <td>I 8</td> </tr> <tr> <td></td> <td></td> <td></td> </tr> </table>			D 8	F 8	I 8					
D 8	F 8	I 8								