

# Push Button Switch (Anti-vandal)

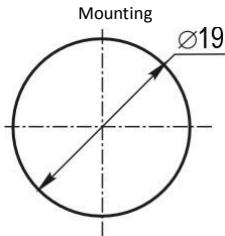
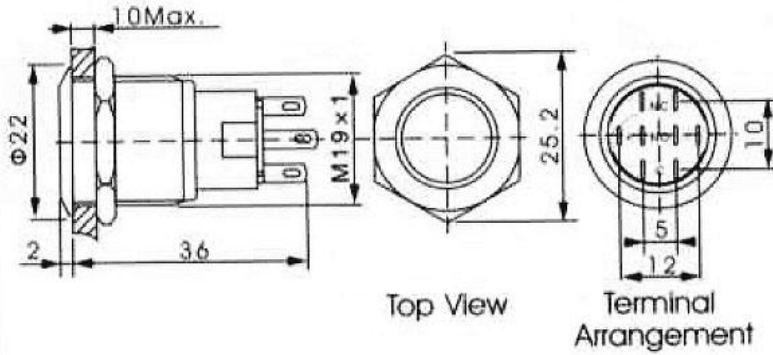
**Q-10391**

TYPE: **LA19AJS-E**

## SPECIFICATIONS

Rating: 3A 250V AC  
Contact R: 50mΩ max  
Insulation R: 2000V DC 100MΩ min  
Dielectric Strength: 1 Minute 2000V AC  
Operating Temperature: -20°C ~ +55°C  
Electrical Life: 50, 000 Cycles  
IP Degree: IP40/IP67

Outline Drawing



Circuitry

