

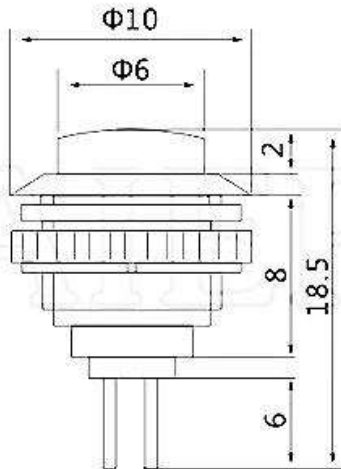
Q-10138

TYPE: **DS-1010**

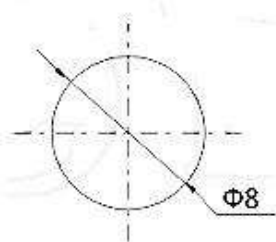
SPECIFICATIONS

Rating: **0.5A 125VAC**
Contact R: 35mΩ max
Insulation R: 500V DC 100MΩ min
Dielectric Strength: 1 Minute 1000V AC
Operating Temperature: -25°C ~ +85°C
Electrical Life: 10, 000 Cycles

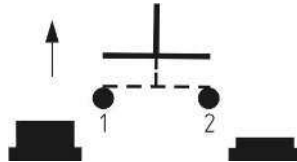
Outline Drawing



Mounting



Circuitry



OFF – (ON)