

Push Button Switch

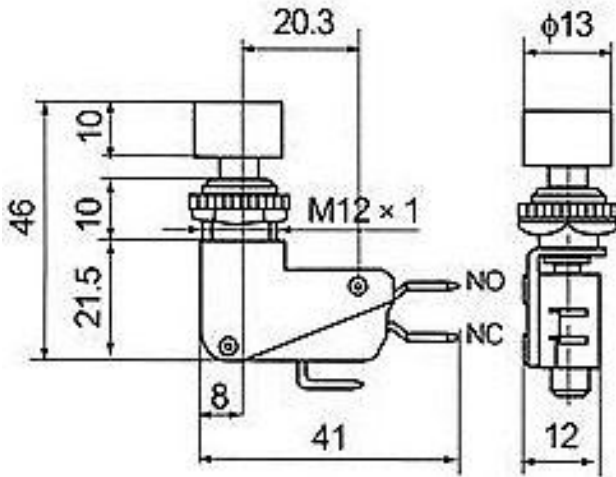
Q-10137

TYPE: **DS-438**

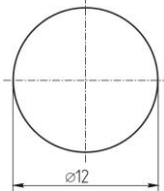
SPECIFICATIONS

Rating: 5A 250V AC
Contact R: 30mΩ max
Insulation R: 500V DC 100MΩ min
Dielectric Strength: 1 Minute 1500V AC
Operating Temperature: -25°C ~ +80°C
Electrical Life: 100,000 Cycles

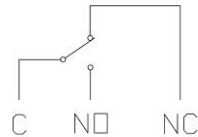
Outline Drawing



Mounting



Circuitry



ON - (ON)