

Detector Switch

Q-10044

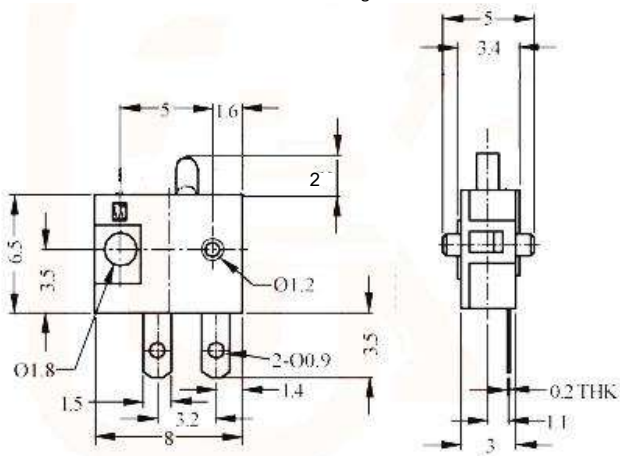
TYPE: **MX-1202**



SPECIFICATIONS

| | |
|-----------------------------|-----------------------|
| Contact Type | SPST |
| Rating | DC 30V, 0,1A |
| Contacts Resistance | 1000mΩ Max |
| Insulation Resistance | 100MΩ Min |
| Minimum Load | DC 100V |
| Dielectric Strengths | AC 100V / 1 minute |
| Life Test | 50 000 cycles/ minute |
| Operating temperature range | -40°C to +85°C |

Outline Drawing



Mounting

Circuitry

